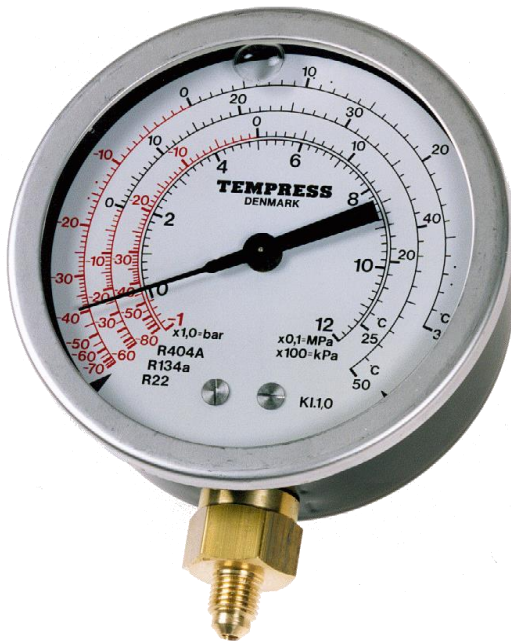


Pressure Gauge DN63/80/100/160**Type A10/ Refrigeration Pressure gauge**

Date: April 2019

Sheet No.: A10-refrigeration

**Refrigeration pressure gauge**

- *Liquid filled*
- *Connection: bottom or rear*
- *Direct, wall or panel mounting*
- *More than 40 different connecting threads*
- *Long-term stable*
- *Vibration protected*
- *Many types of refrigeration scales, graded in pressure and temperature*

Specifications	
Pressure Gauges:	DN 63 type A1001 DN 80 type A1002 DN 100 type A1003 DN 160 type A1004
Case material:	Steel, black enamelled, AISI304 <i>Option:</i> AISI 316
Front Glass:	Hardened
Bezel:	AISI 316
Liquid filling	Glycerine
Connection:	Brass, steel or AISI 316
Measuring system:	Brass/bronze, steel or AISI 316
Range:	-1-0+12 bar -1-0+25 bar Other ranges on request
Accuracy:	Cl. 1.0 ($\pm 1\%$ FS)
Refrigeration media:	R22, R134a, R404, R507, Ammonia (R717) Other media on request

TEMPRESS reserves the right to changes without notice

Application

This series of pressure gauges is well suited for application in the refrigeration industry.

Refrigeration scales

The program of refrigeration scales cover most refrigeration media available on the market. The scale can be delivered with 1, 2 or 3 refrigeration media.

TEMPRESS reserves the right to changes without notice

Agent/Dealer:


TEMPRESS

Sønderskovvej 10, DK-8362 Høring.
Phone: 8932 5200
E-mail: sales@tempress.dk

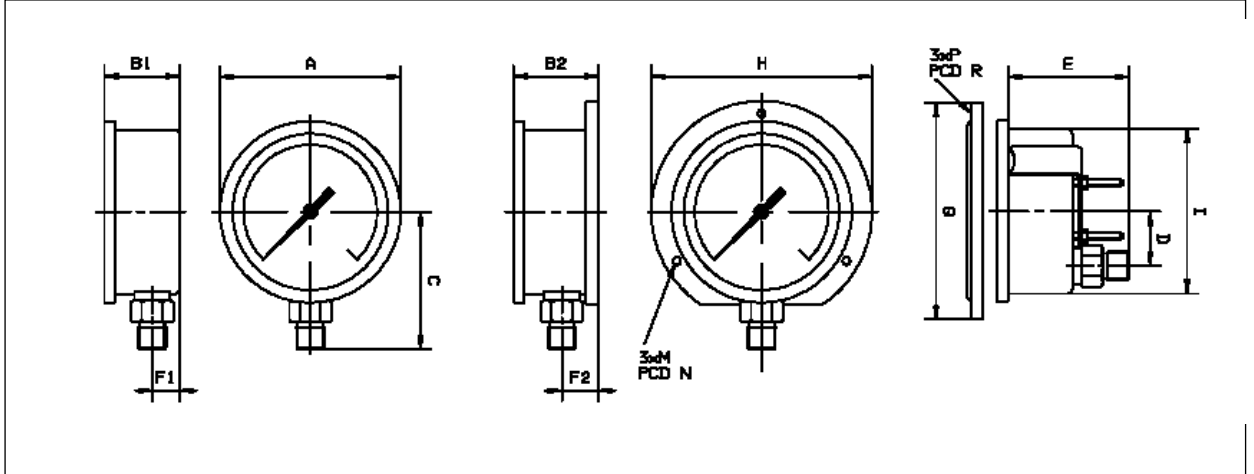
TEMPRESS DATASHEET

Drawings and Dimensions

Type A10

Date: April 2019

Sheet No.: A10-refrigeration



Dimensions in mm

DN63		DN80		DN100		DN160	
A	Dia. 69	A	Dia. 88	A	Dia. 108	A	Dia. 167
B1	35	B1	44	B1	45	B1	49
B2		B2	50	B2	51	B2	55
C	56	C	70	C	83	C	115
D		D	26	D	33	D	33
E	56	E	59	E	72	E	76
F1		F1	17	F1	16	F1	17
F2		F2	23	F2	23	F2	23
G		G	Dia. 108	G	Dia. 129	G	Dia. 192
H		H	- 110	H	- 132	H	- 196
I	Dia. 60	I	- 78	I	- 98	I	- 156
M	-	M	- 4,8	M	- 4,8	M	- 5,8
N	-	N	- 95	N	- 117	N	- 178
P	-	P	- 4,8	P	- 4,8	P	- 5,5
R	-	R	- 95	R	- 116	R	- 178

TEMPRESS reserves the right to changes without notice

TEMPRESS DATASHEET

Agent/Dealer:



TEMPRESS

Sønderskovvej 10, DK-8362 Høring.
Phone: 8932 5200
E-mail: sales@tempress.dk

Ambient and Media Temperature

Type A10

Date: April 2019

Sheet No.: A10-refrigeration

Ambient and media temperature											
			Media temperature				Ambient temperature				
Dry gauge	Glass type	System material	Min.		Max.		Min.		Max.		
Std. gauge	Acrylic	Brass/bronze	-20°C	-4°F	70°C	160°F	-10°C	14°F	70°C	160°F	
Std. gauge	Toughened Acrylic	Steel / AISI 316	-20° C -20 C	-4°F -4°F	200°C 130°C	390°F 265°F	-10°C -10°C	14°F 14°F	70°C 120°C	160°F 250°F	
Liquid filled gauge	Filling liquid	System material									
Std. gauge	Glycerine Glycerine	Brass/bronze Steel / AISI 316	0°C 0°C		32°F 32F	70°C*) 100°F*)	160°F*) 210°F*)	0°C 0°C	32°F 32°F	60°C*) 60°C*)	140°F*) 140°F*)
Std. gauge	Silicone		-40°C		-40°C	70°C*)	160°F*)	-40°C	-40°C	50°C*)	120°F*)

*) The average value of the maximum ambient temperature and the media temperature must not exceed the maximum ambient temperature.

Example: at a media temperature of 100°C the ambient temperature must not exceed 20°C, when glycerine filled.

$$\frac{\text{Media temperature} + \text{Ambient temperature}}{2} \leq \text{maximum ambient temperature} \left(\frac{100^\circ\text{C} + 20^\circ\text{C}}{2} \right) = 60^\circ\text{C}$$

Temperature compensation

The unique temperature compensation system ensures an accurate display. Under conditions where the ambient temperature may vary, automatic compensation is made for temperature changes of up to 60°C.

The temperature compensation system also functions as a blow-out mechanism. Should the measuring system explode due to excess pressure, the temperature compensation system is pushed out the back of the instrument.

Filling liquid	Span ≤ 2 bar ≤ 29 psi		Span > 2 bar < 4 bar > 29 psi < 59 psi		Span ≥ 4 bar ≥ 59 psi	
	°C	°F	°C	°F	°C	°F
Glycerine	NA	NA	0-40	32-120	0-60	32-140
Silicone	0-40	32-105	0-50	32-105	0-50	32-120

TEMPRESS reserves the right to changes without notice

Agent/Dealer:



TEMPRESS

Sønderskovvej 10, DK-8362 Hørning.
Phone: 8932 5200
E-mail: sales@tempress.dk

TEMPRESS DATASHEET