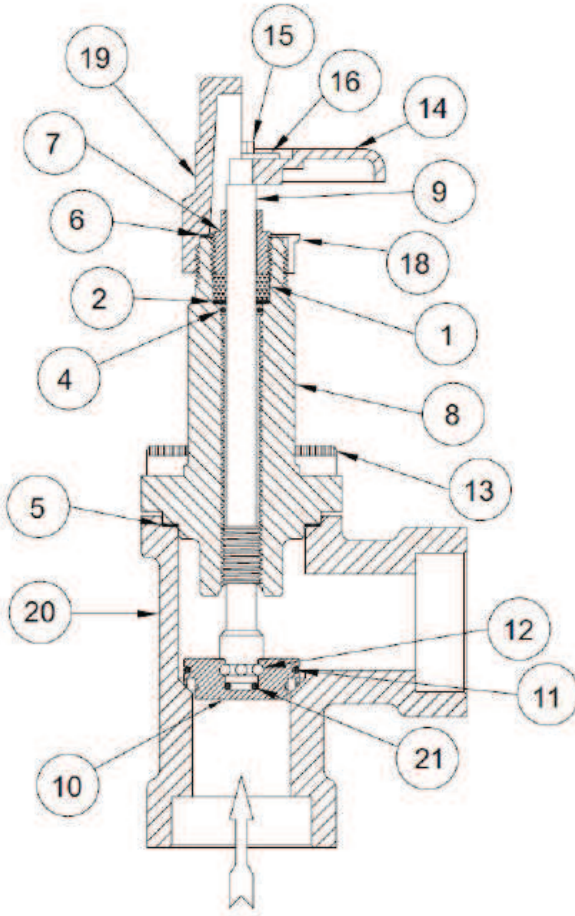


REPLACEMENT PARTS – SOCKET WELD SHUT-OFF VALVES

1/2" THROUGH 1 1/4" (13MM THROUGH 32MM)



NOTE: Angle valve shown; kits are the same for globe valves.

ITEM	DESCRIPTION	QTY	PART NO
	Gasket Kit 1/2", 3/4", 1", 1-1/4" (13mm, 20mm, 25mm, 32mm)		50-1040
	Gasket Kit, Extended Neck 1/2", 3/4", 1", 1-1/4" (13mm, 20mm, 25mm, 32mm)		50-1171
	<i>Above kits consist of:</i>		
1	Stem Packing	1	
2	Stem Washer	1	
4	Stem O-Ring	1	
5	Bonnet Gasket	1	
6	Seal Cap O-Ring	1	
7a	Packing Nut	1	
7b	Packing Nut, Extended Neck	1	
21	O-Ring, Anti-Spin	1	
*	Bonnet Assembly Kit 1/2", 3/4" (13mm, 20mm)		50-1094
	Bonnet Assembly Ext Neck Kit 1/2", 3/4" (13mm, 20mm)		50-1172
*	Bonnet Assembly Kit 1", 1-1/4" (25mm, 32mm)		50-1095
	Bonnet Assembly Ext Neck Kit 1", 1-1/4" (25mm, 32mm)		50-1174
	<i>Above kits consist of:</i>		
8	Bonnet 1/2", 3/4" (13mm, 20mm)	1	
9a	Stem	1	
9b	Stem, Extended Neck	1	
10	Disc Assembly	1	
11	Ball Retainer	1	
12	Balls	10	
13	Bonnet Cap Screws	4	
	Gasket Kit	1	
	Gasket Kit, Ext Neck	1	
	Handwheel Kit		50-1005
	<i>Above kits consist of:</i>		
14	Handwheel	1	
15	Screw	1	
16	Nameplate	1	
18	Bonnet Thread Cap	1	
	Seal Cap Kit		50-1036
	<i>Above kits consist of:</i>		
6	Seal Cap O-Ring	1	
19	Seal Cap	1	
20	Body		

Note: A plate steel cap is available. To order specify part number 50-1064.