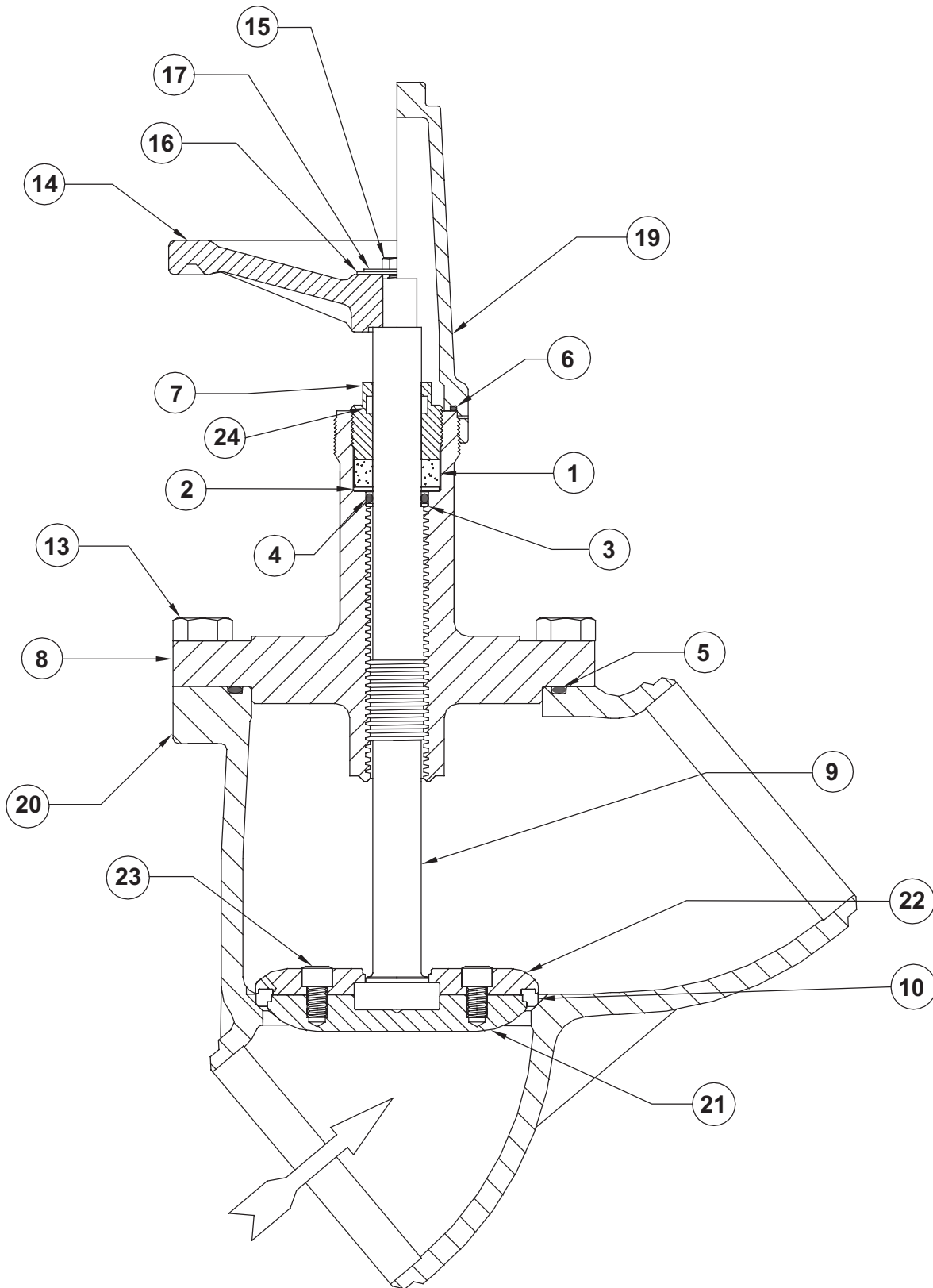


5" THROUGH 8" (125MM THROUGH 200MM - BUTT WELD SHUT-OFF VALVES



NOTE: Globe valve shown; kits are the same for angle valves.

REPLACEMENT PARTS – BUTT WELD SHUT-OFF VALVES
5" THROUGH 8" (125MM THROUGH 200MM)

ITEM	DESCRIPTION	QTY	PART NO
	Gasket Kit 5" (125mm) Gasket Kit 6" (150mm) Gasket Kit 8" (200mm)		50-1082 50-1083 50-1084
	<i>Above kits consist of:</i>		
1	Stem Packing	1	
2	Stem Washer	1	
3	Back-up Washer	1	
4	Stem O-Ring	1	
5	Bonnet O-Ring	1	
6	Seal Cap O-Ring	1	
7	Packing Nut	1	
	Bonnet Assembly Kit 5" (125mm) Bonnet Assembly Kit 6" (150mm) Bonnet Assembly Kit 8" (200mm)		50-1080 50-1081 50-1085
	<i>Above kits consist of:</i>		
8	Bonnet	1	
9	Stem Assembly	1	
13	Bonnet Cap Screw	4	
21	Lower Disc Holder	1	
22	Upper Disc Holder	1	
23	Disc Holder Screw	4	
24	Bushing, Stem Guide	1	
	Gasket Kit	1	
	Disc Assy	1	
	Handwheel Kit 5", 6" (125mm, 150mm) Handwheel Kit 8" (200mm)		50-1089 50-1090
	<i>Above kits consist of:</i>		
14	Handwheel	1	
15	Screw	1	
16	Back-Up Washer (8" Only)	1	
17	Nameplate	1	
	Seal Cap Kit 5", 6" (125mm, 150mm) Seal Cap Kit 8" (200mm)		50-1091 50-1092
	<i>Above kits consist of:</i>		
6	Seal Cap	1	
19	Seal Cap	1	
20	Body	1	