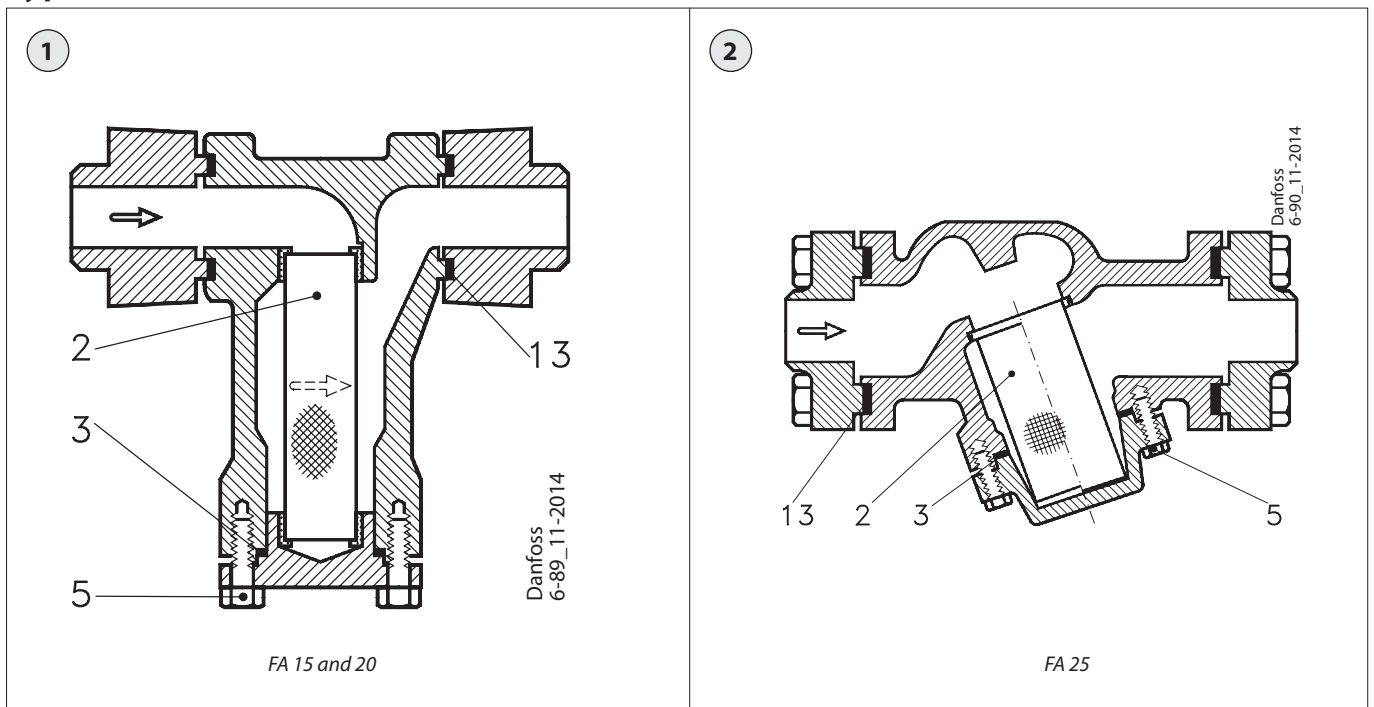


Data sheet – Spare parts and accessories

**Strainer, non welded
Type FA**



Description	Pos. #	Qty.	Code no.
Repair kit, figs. 1 and 2, FA 15			
Strainer	2	1	006-0331
Cover gasket	3	1	
Screw	5	4*	
Repair kit, figs. 1 and 2, FA 20			
Strainer	2	1	006-0332
Cover gasket	3	1	
Screw	5	4*	
Repair kit, figs. 1 and 2, FA 25			
Strainer	2	1	006-0333
Cover gasket	3	1	
Screw	5	4*	

Description	Pos. #	Qty.	Code no.
Seal kit, figs. 1 and 2, FA 15			
Cover gasket	3	1	006-0334
Flange gasket	13	2	
Seal kit, figs. 1 and 2, FA 20			
Cover gasket	3	1	006-0335**
Flange gasket	13	2	
Seal kit, figs. 1 and 2, FA 25			
Cover gasket	3	1	006-0336
Flange gasket	13	2	
Seal kit, figs. 1			
Cover gasket	3	1	006-0346***
Flange gasket	13	2	

*) For FA 25: 6 pcs.

**) For FA 20 strainers, for fitting in pipelines.

***) For FA 20 strainers, for direct fitting on valve.