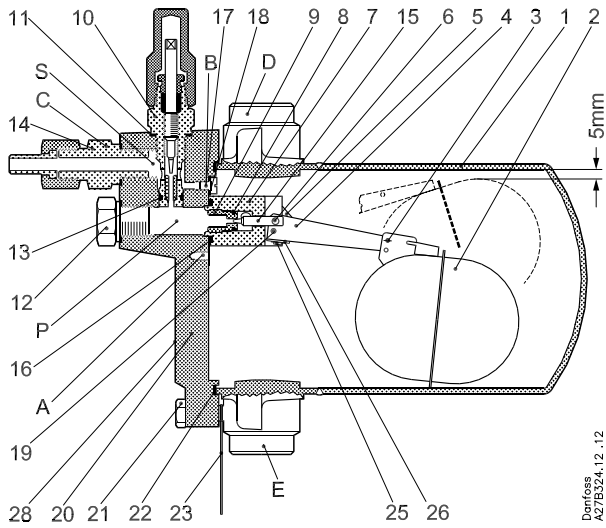


Instructions

Float valve

SV 1-3

027R9529



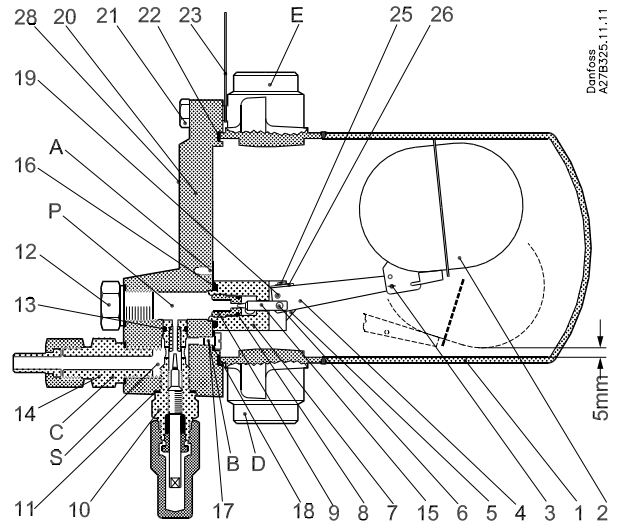
Danfoss
A27B324.12.12



28

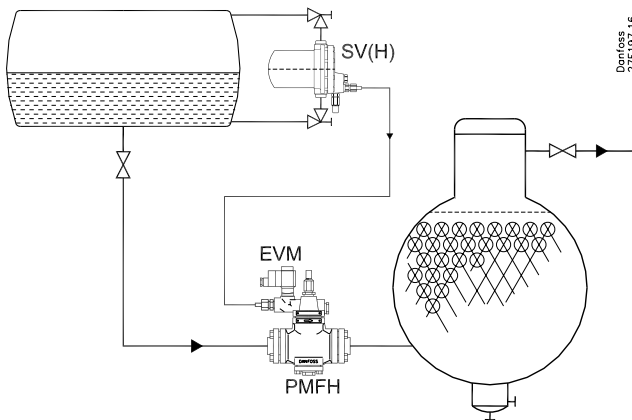
Fig. 1

027R9529



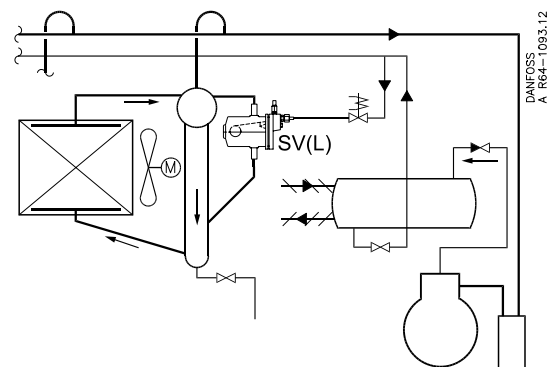
Danfoss
A27B325.11.11

Fig. 2



Danfoss
27F197.16

Fig. 3



DANFOSS
A R64-1093.12

Fig. 4

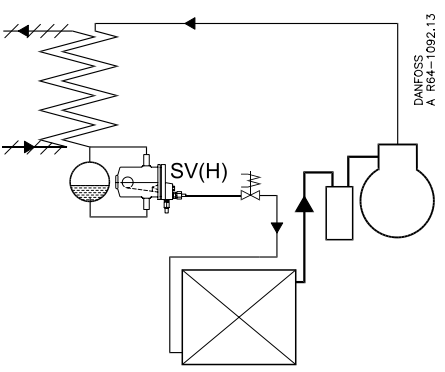
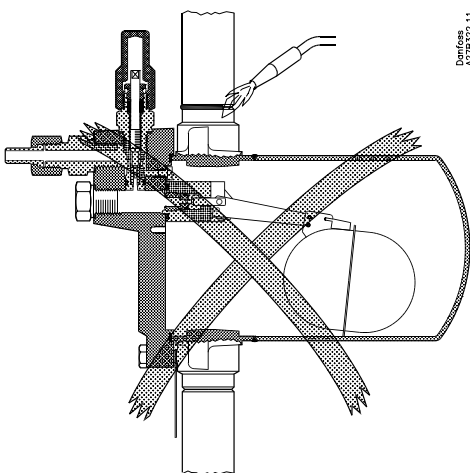
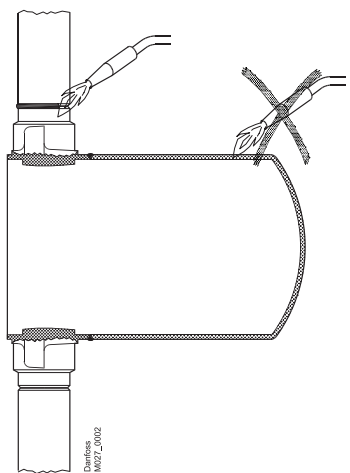
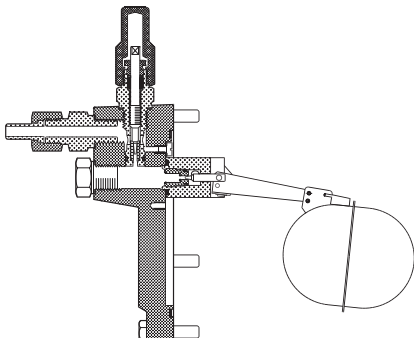


Fig. 5

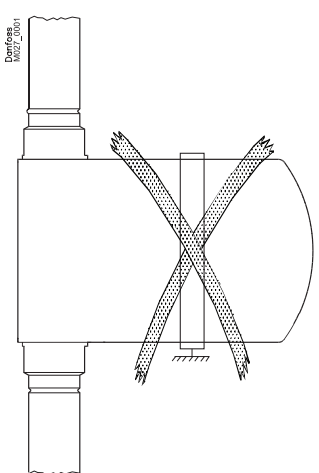


Danfoss
A27B322.11



Danfoss
M307_0102

Fig. 6



Danfoss
M307_0102

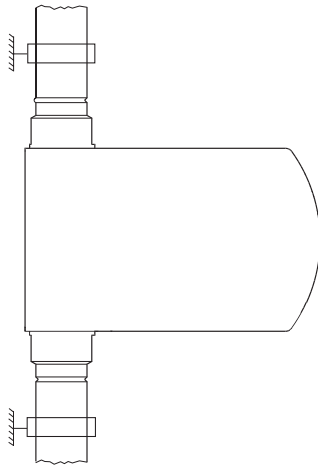


Fig. 7

ENGLISH

Installation

Low pressure and high pressure float valves + high pressure defrost drain float valves

Refrigerants

Applicable to all common non-flammable refrigerants, including R717 and non-corrosive gases/liquids dependent on sealing material compatibility. Flammable hydrocarbons are not recommended. The valve is only recommended for use in closed circuits. For further information please contact Danfoss.

Temperature range

SV 1-3: -50/+65°C (-58/+149°F)

Pressure range

SV valves are designed for a max. working pressure of 28 bar g (406 psi g).
Max. test pressure: $p_e = 37 \text{ bar} = 3700 \text{ kPa}$ (537 psig)

Design

1. Float Housing
2. Float
3. Split pin
4. Float arm
5. Link
6. Pin
7. Valve housing
8. O-ring
9. Float orifice
10. Manual regulation unit, throttle valve
11. Gasket
12. Plug
13. O-ring
14. Pilot connection (spare part)
15. Orifice needle
16. O-ring
17. Screw
18. Gasket
19. Pin
20. Cover
21. Screw
22. Gasket
23. Label
25. Screw
26. Spring washer
28. Sign

Installation

Low pressure float valve SV (fig 1 and 4).
When SV is to be used as a low pressure float valve it must be fitted with its longitudinal axis horizontal at the same height as the liquid level required (fig. 4).

Manual regulation unit **10** must point vertically upwards. The vapour connection **D** must point vertically upwards.

The low pressure float valve is connected to the evaporator through a liquid line **E** and a vapour line **D**.

When delivered, the float **2** is made secure for transport by a carton sleeve which must be removed prior to fitting. See label **23**.

High pressure float valve SV (fig. 2, 3 and 5).
When SV is to be used as a high pressure float valve it must be fitted with its longitudinal axis horizontal at the same height as the liquid level required (fig. 3).
Manual regulating unit **10** must point vertically downwards. The vapour connection **E** must point vertically upwards.

The high pressure float is connected to the condenser/receiver or a vertical adequately dimensioned section of the liquid line from the condenser via a liquid line **D** and a vapour line **E**.

When delivered, the float **2** is made secure for transport by a carton sleeve which must be removed prior to installation. See label **23**.

Installation to the system

The high pressure float valve can be connected to the main valve (PMFH) with a pilot line not more than 3 m in length, without "pockets", and with an inside diameter of between 6 and 10 mm.

The piping system should be designed to avoid liquid traps and reduce the risk of hydraulic pressure caused by thermal expansion. It must be ensured that the valve is protected from pressure transients like "liquid hammer" in the system.

When an SV(L) is used as a separate expansion valve (fig. 4), the liquid inlet line is connected to nipple C (delivered separately). To avoid false level, the pressure drop in the suction vapour connection must be as small as possible.

When an SV(H) is used as a separate expansion valve (fig. 5), the liquid outlet line must be connected to nipple C (delivered separately).

At delivery the SV house is positioned for low pressure function SV(L) when the type label can be read normally.

The label is thus placed on the cover in the way that its top edge indicates the centre of the cover.

Any mechanical influence direct on the float housing **1** should be avoided/minimized e.g. impact caused by vibrations acting directly on the float housing **1** - thus mounting of the float valve in the float house is not allowed (fig. 7).
Drilling of holes is not allowed anywhere in the float valve.

Welding

As shown in fig. 6, the complete float assembly must be removed prior to welding.

Only materials and welding methods, compatible with the valve housing material, must be welded to the valve housing. The valve should be cleaned internally to remove welding debris on completion of welding and before the valve is reassembled.

Avoid welding debris and dirt in the housing including all orifices.

Welding and similar is only allowed on the liquid line **E** and the vapour line **D**.

The valve housing must be free from stresses (external loads) after installation.

Valves must not be mounted in systems where the outlet side of the valve is open to atmosphere. The outlet side of the valve must always be connected to the system or properly capped off, for example with a welded-on end plate.

Pilot connection

The cover **20** is fitted with a manual regulation unit **10**. There are two possibilities, P and S, for the pilot connection **14**.

When the pilot connection is fitted in position P, the pilot flow travels in parallel through either the bypass orifice **10** or float orifice **9**. The screw **17** must be moved to position A so that the by-pass hole B is open.

When the pilot connection is fitted in pos. S, the pilot flow travels in series through manual regulating unit **10** and float orifice **9**. The screw **17** must then be kept in position B.

Instruction for PMFH shows the pilot connection on SV for the high pressure float system.

Setting

On delivery, the pilot connection is fitted with a red plastic cap. After removal of the cap the pilot connection, either 10 mm weld or 3/8" flare, can be fitted. Connection S is open on delivery.

When SV is used as a pilot float valve in the high pressure system: PMFH + SV: Make the settings as described in these instructions.

P-mounting for SV as separate valve

With the float valve closed the SV has a minimum capacity corresponding to the degree of opening of the throttle valve **10**. Opening of the throttle valve can be used for service to manually open the SV.

ENGLISH

S-mounting for SV as separate valve

On SV(L) the throttle valve 10 functions as a pre-orifice and on SV(H) as a post-orifice, corresponding to the degree of opening of the throttle valve.

With the throttle valve closed, the liquid inlet on SV(L) and liquid outlet on SV(H) are shut off.

Assembly

Remove welding debris and any dirt from pipes and valve body before assembly.

Colours and identification

The SV valves are painted with a blue primer in the factory. Precise identification of the valve is made via the ID plate. The external surface of the valve housing must be prevented against corrosion with a suitable protective coating after installation and assembly.

Protection of the ID plate when repainting the valve is recommended.

Maintenance

Dismantling the valve (fig. 1)

Do not remove the cover **20** or the plug **12** while the valve is still under pressure.

- Check that the gasket **22** has not been damaged
- Unscrew the orifice **9** and check that the orifice needle **15** is intact
- Check that the float **2** is intact
- Check that the pin **19** is intact

Assembly

Remove any dirt from the interior before the valve is assembled. Check that the valve is positioned according to the function before re-installation.

Tightening

Tighten the screws **21** in the cover **20** with 20 Nm.

Use only original Danfoss parts, including packing glands, O-rings and gaskets for replacement. Materials of new parts are certified for the relevant refrigerant.

In cases of doubt, please contact Danfoss. Danfoss accepts no responsibility for errors and omissions. Danfoss Industrial Refrigeration reserves the right to make changes to products and specifications without prior notice.



The following text is applicable to the UL listed products SV 1-3

Applicable to all common non-flammable refrigerants, including/excluding (+) R717 and to non-corrosive gases/liquids dependent on sealing material compatibility (++) . The design pressure shall not be less than the value outlined in Sec. 9.2 of ANSI/ASHRAE 15 for the refrigerant used in the system. (+++).