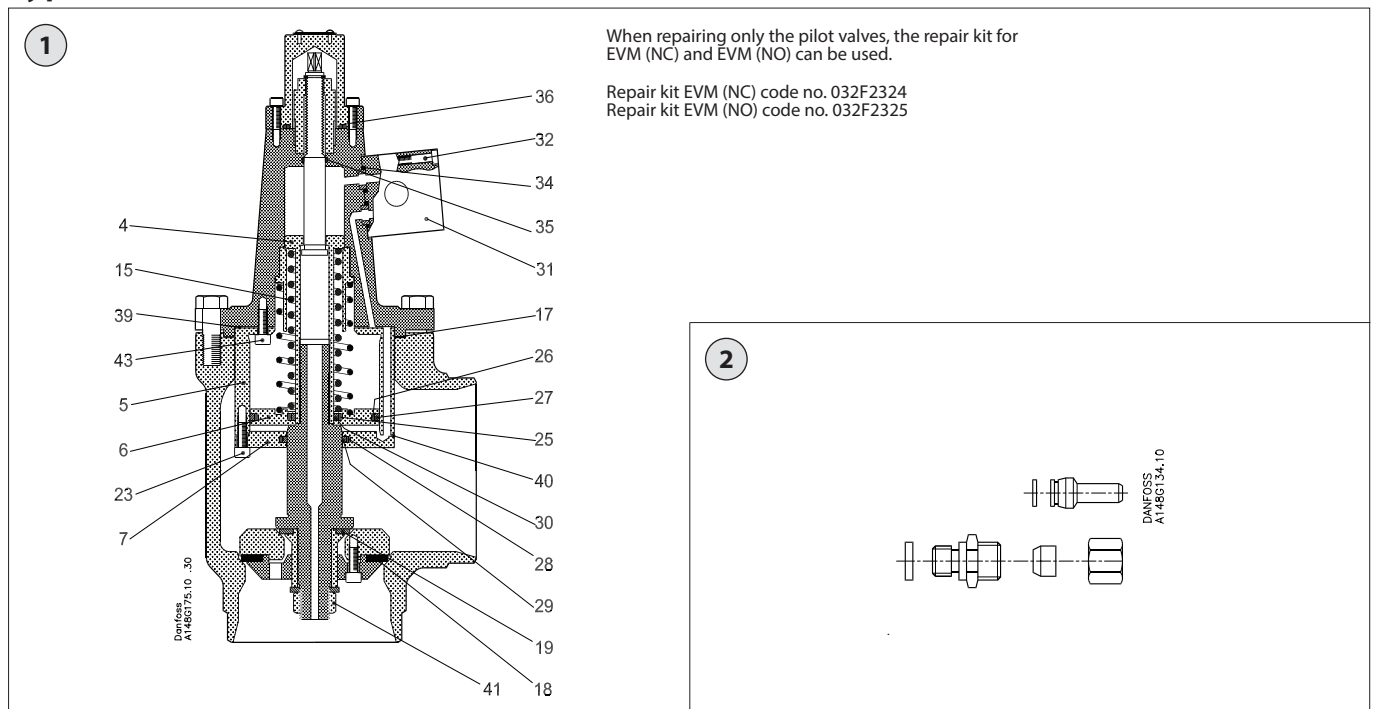


Data sheet – Spare parts and accessories

2-step solenoid valve Type GPLX



Size	Description	Pos. #	Qty.	Code no.
------	-------------	--------	------	----------

Spare part kit, for top/housing and cap (Dismounting set)

DN 80	Gasket top/housing	17	1	148G3427
	O-ring for cap	36	1	
DN 100	Gasket top/housing	17	1	148G3428
	O-ring for cap	36	1	
DN 125	Gasket top/housing	17	1	148G3429
	O-ring for cap	36	1	
DN 150	Gasket top/housing	17	1	148G3430
	O-ring for cap	36	1	

Repair kit, complete set of gaskets

DN 80	Gasket top/housing	17	1	148G3431
	Teflon ring cone step 2	18	1	
	Teflon ring cone step 1	19	1	
	O-ring piston inside	25	1	
	O-ring piston outside	26	1	
	Glide ring piston outside	27	1	
	O-ring guide	28	1	
	Glide ring guide	29	1	
	Glide ring piston inside	30	1	
	O-ring for connection part/ solenoid valve	34	1	
	O-ring for threaded rod	35	1	
	O-ring for cap	36	1	
	Gasket for cylinder top	39	1	
	Gasket for cylinder	40	1	
Nut	41	1		

Repair kit, complete set of gaskets

DN 100	Gasket top/housing	17	1	148G3432
	Teflon ring cone step 2	18	1	
	Teflon ring cone step 1	19	1	
	O-ring piston inside	25	1	
	O-ring piston outside	26	1	
	Glide ring piston outside	27	1	
	O-ring guide	28	1	
	Glide ring guide	29	1	
	Glide ring piston inside	30	1	
	O-ring for connection part/ solenoid valve	34	1	
	O-ring for threaded rod	35	1	
	O-ring for cap	36	1	
	Gasket for cylinder top	39	1	
	Gasket for cylinder	40	1	
Nut	41	1		

Size	Description	Pos. #	Qty.	Code no.
------	-------------	--------	------	----------

Repair kit, complete set of gaskets

DN 125	Gasket top/housing	17	1	148G3433
	Teflon ring cone step 2	18	1	
	Teflon ring cone step 1	19	1	
	O-ring piston inside	25	1	
	O-ring piston outside	26	1	
	Glide ring piston outside	27	1	
	O-ring guide	28	1	
	Glide ring guide	29	1	
	Glide ring piston inside	30	1	
	O-ring for connection part/ solenoid valve	34	1	
	O-ring for threaded rod	35	1	
	O-ring for cap	36	1	
	Gasket for cylinder top	39	1	
	Gasket for cylinder	40	1	
Nut	41	1		

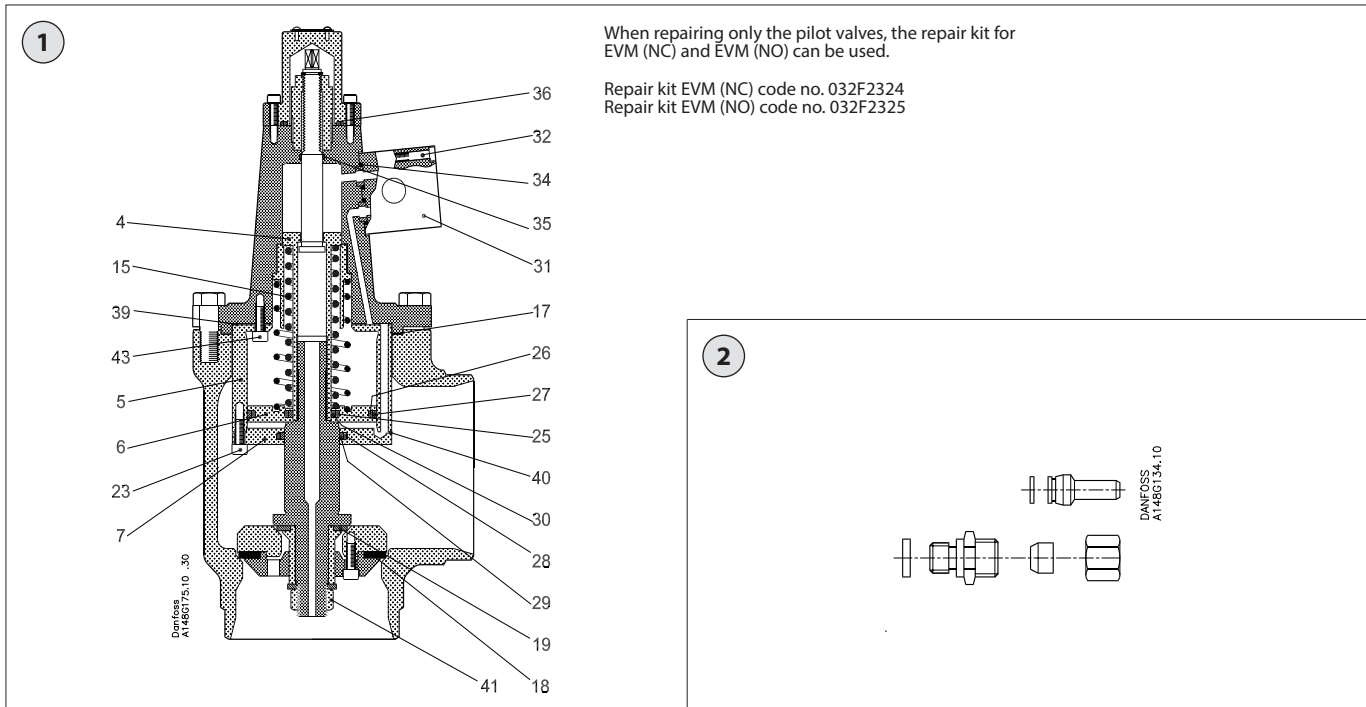
Repair kit, complete set of gaskets

DN 150	Gasket top/housing	17	1	148G3434
	Teflon ring cone step 2	18	1	
	Teflon ring cone step 1	19	1	
	O-ring piston inside	25	1	
	O-ring piston outside	26	1	
	Glide ring piston outside	27	1	
	O-ring guide	28	1	
	Glide ring guide	29	1	
	Glide ring piston inside	30	1	
	O-ring for connection part/ solenoid valve	34	1	
	O-ring for threaded rod	35	1	
	O-ring for cap	36	1	
	Gasket for cylinder top	39	1	
	Gasket for cylinder	40	1	
Nut	41	1		

New Additional Repair kit

DN 80	Piston rod	4	1	148G0100
	Spring open	15	1	
DN 100	Piston rod	4	1	148G0101
	Spring open	15	1	
DN 125	Piston rod	4	1	148G0102
	Spring open	15	1	
DN 150	Piston rod	4	1	148G0103
	Spring open	15	1	

2-step solenoid valve, type GPLX



Size	Description	Pos. #	Qty.	Code no.
New Overhaul kit				
DN 80	Cylinder	5	1	148G0104
	Piston	6	1	
	Guide piece	7	1	
	Screw	23	1	
	Screw	43	1	
DN 100	Cylinder	5	1	148G0105
	Piston	6	1	
	Guide piece	7	1	
	Screw	23	1	
DN 125	Cylinder	5	1	148G0106
	Piston	6	1	
	Guide piece	7	1	
	Screw	23	1	
DN 150	Cylinder	5	1	148G0107
	Piston	6	1	
	Guide piece	7	1	
	Screw	23	1	

Size	Description	Pos. #	Qty.	Code no.
Complete pilot valve block type EVRB without coils				
DN 80-150	EVRB valve block	31	1	2453+103
	Bolts for solenoid valve	32	1	
	O-ring for connection part / solenoid valve	34	1	
External/pilot connection complete, fig.2				
DN 80-150	External/pilot connection complete		1	148G3750