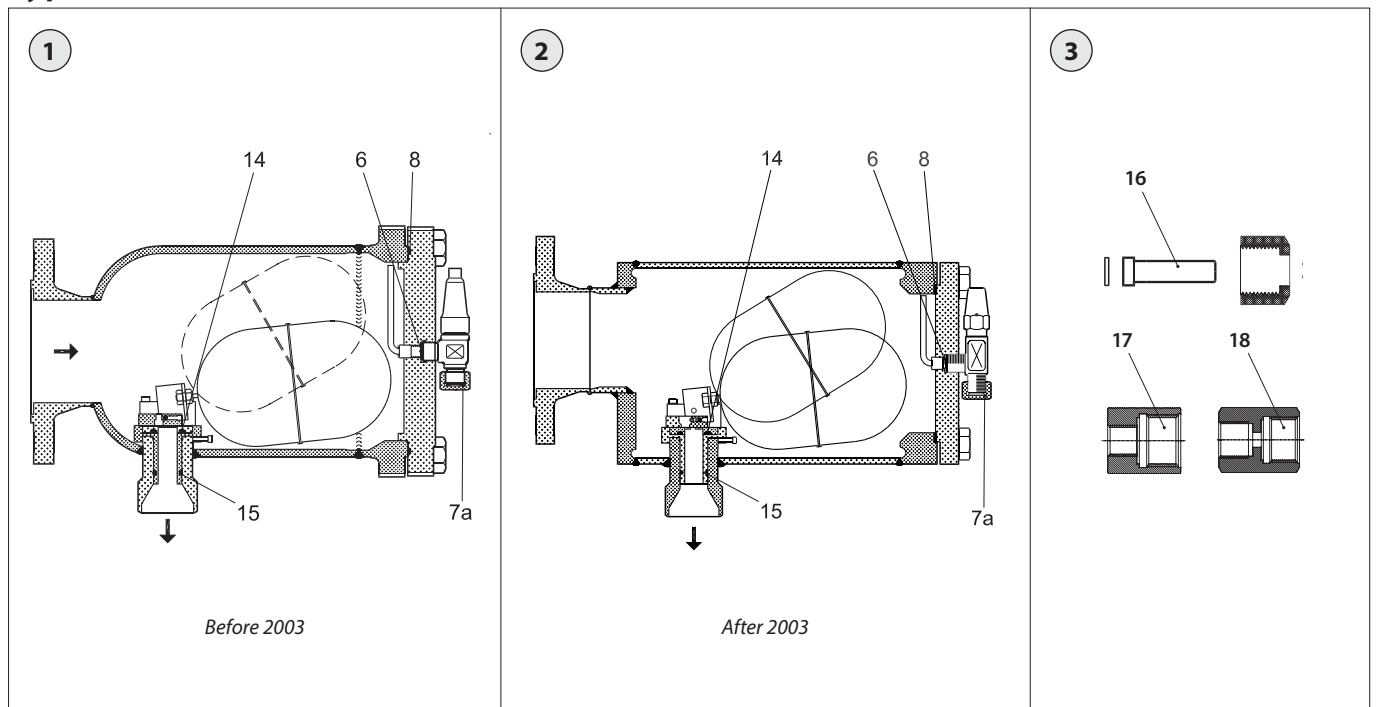


Data sheet – Spare parts and accessories

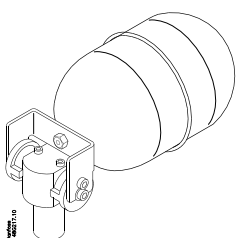
Float valve
Type HFI



| Description | Type of nozzle (nominal capacity) | Pos. # | Qty. | Code no. |
|--|-----------------------------------|--------|------|-----------------|
| Repair kit, complete set of gaskets | | | | |
| Gasket | 040 | 6 | 1 | 2453+094 |
| Gasket | | 7a | 1 | |
| O-ring for housing/end cover (Before 2003) | | 8 | 1 | |
| Gasket for housing/end cover (After 2003) | | 8 | 1 | |
| O-ring | | 14 | 1 | |
| O-ring | 15 | 1 | | |
| Repair kit, complete set of gaskets | | | | |
| Gasket | 050 | 6 | 1 | 2453+094 |
| Gasket | | 7a | 1 | |
| O-ring for housing/end cover (Before 2003) | | 8 | 1 | |
| Gasket for housing/end cover (After 2003) | | 8 | 1 | |
| O-ring | | 14 | 1 | |
| O-ring | 15 | 1 | | |
| Repair kit, complete set of gaskets | | | | |
| Gasket | 060 | 6 | 1 | 2453+094 |
| Gasket | | 7a | 1 | |
| O-ring for housing/end cover (Before 2003) | | 8 | 1 | |
| Gasket for housing/end cover (After 2003) | | 8 | 1 | |
| O-ring | | 14 | 1 | |
| O-ring | 15 | 1 | | |
| Repair kit, complete set of gaskets | | | | |
| Gasket | 070 | 6 | 1 | 2453+094 |
| Gasket | | 7a | 1 | |
| O-ring for housing/end cover (Before 2003) | | 8 | 1 | |
| Gasket for housing/end cover (After 2003) | | 8 | 1 | |
| O-ring | | 14 | 1 | |
| O-ring | 15 | 1 | | |

| Description | Type of nozzle (nominal capacity) | Pos. # | Qty. | Code no. |
|---|-----------------------------------|--------|------|-----------------|
| Complete renewal kit* | | | | |
| Gasket | 040 | 6 | 1 | 148G3661 |
| Gasket | | 7a | 1 | |
| O-ring for housing/end cover (Before 2003) | | 8 | 1 | |
| Gasket for housing/end cover (After 2003) | | 8 | 1 | |
| Complete insert including the float ball (R717) | | - | 1 | |
| Gasket | 050 | 6 | 1 | 148G3662 |
| Gasket | | 7a | 1 | |
| O-ring for housing/end cover (Before 2003) | | 8 | 1 | |
| Gasket for housing/end cover (After 2003) | | 8 | 1 | |
| Complete insert including the float ball (R717) | - | 1 | | |
| Gasket | 060 | 6 | 1 | 148G3663 |
| Gasket | | 7a | 1 | |
| O-ring for housing/end cover (Before 2003) | | 8 | 1 | |
| Gasket for housing/end cover (After 2003) | | 8 | 1 | |
| Complete insert including the float ball (R717) | - | 1 | | |
| Gasket | 070 | 6 | 1 | 148G3584 |
| Gasket | | 7a | 1 | |
| O-ring for housing/end cover (Before 2003) | | 8 | 1 | |
| Gasket for housing/end cover (After 2003) | | 8 | 1 | |
| Complete insert including the float ball (R717) | - | 1 | | |
| Welding nipple - G½-ND6 | | | | |
| Welding nipple including aluminium gasket | - | 16 | 2 | 148B4184 |
| Aluminium gaskets included - ¼" FPT - ½" G | - | 17 | 1 | 148B3860 |
| Aluminium gaskets included - ¾" G - ½" G | - | 18 | 1 | 148B3861 |

* The float mechanism is assembled and adjusted from factory



HFI insert after 2006