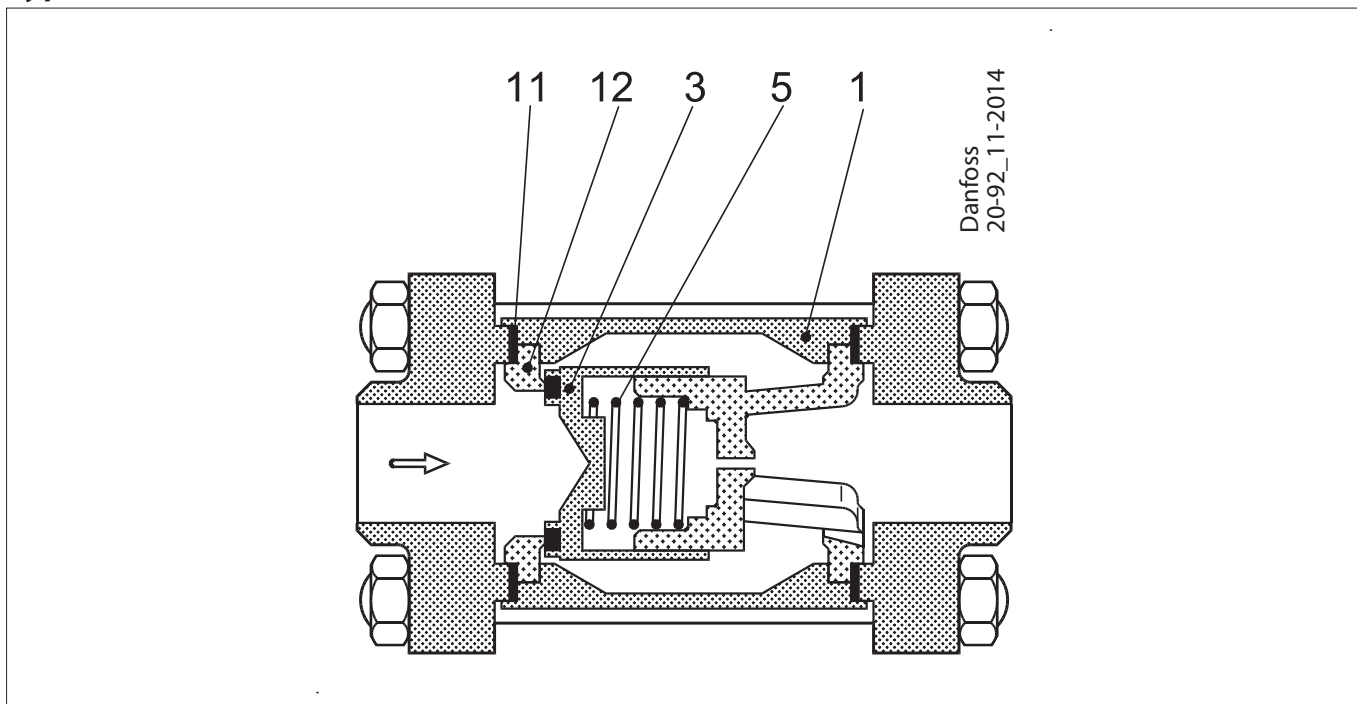


Data sheet – Spare parts and accessories

Check valve
Type NRVA



Description	Pos. #	Qty.	Code no.
Piston assembly			
Piston assembly NRVA 15/20	3	1	020-2104
Piston assembly NRVA 25/32	3	1	020-2105
Piston assembly NRVA 40/50	3	1	020-2106
Piston assembly NRVA 65	3	1	020-2107
Valve seat			
Valve seat NRVA 15/20	12	1	020-2127
Valve seat NRVA 25/32	12	1	020-2128
Valve seat NRVA 40/50	12	1	020-2129
Valve seat NRVA 65	12	1	020-2130
Spring 0.12 bar (1.74 psi)			
Spring NRVA 15/20	5	1	020-2137
Spring NRVA 25/32	5	1	020-2138
Spring NRVA 40/50	5	1	020-2139
Spring NRVA 65	5	1	020-2140
Spring 0.30 bar (4.35 psi)			
Spring NRVA 15/20	5	1	020-2307
Spring NRVA 25/32	5	1	020-2317
Spring NRVA 40/50	5	1	020-2327
Spring NRVA 65	5	1	020-2337

Description	Pos. #	Qty.	Code no.
Complete valve without flanges			
Valve assembly NRVA 15/20	1	1	020-2020
Flange gasket NRVA 15/20	11	2	
Valve assembly NRVA 25/32	1	1	020-2022
Flange gasket NRVA 25/32	11	2	
Valve assembly NRVA 40/50	1	1	020-2024
Flange gasket NRVA 40/50	11	2	
Valve assembly NRVA 65	1	1	020-2026
Flange gasket NRVA 65	11	2	
Flange gaskets			
Gaskets NRVA 15/20	11	2	020-2133
Gaskets NRVA 25/32	11	2	027F2176
Gaskets NRVA 40/50	11	2	027F2178
Gaskets NRVA 65	11	2	020-2136