

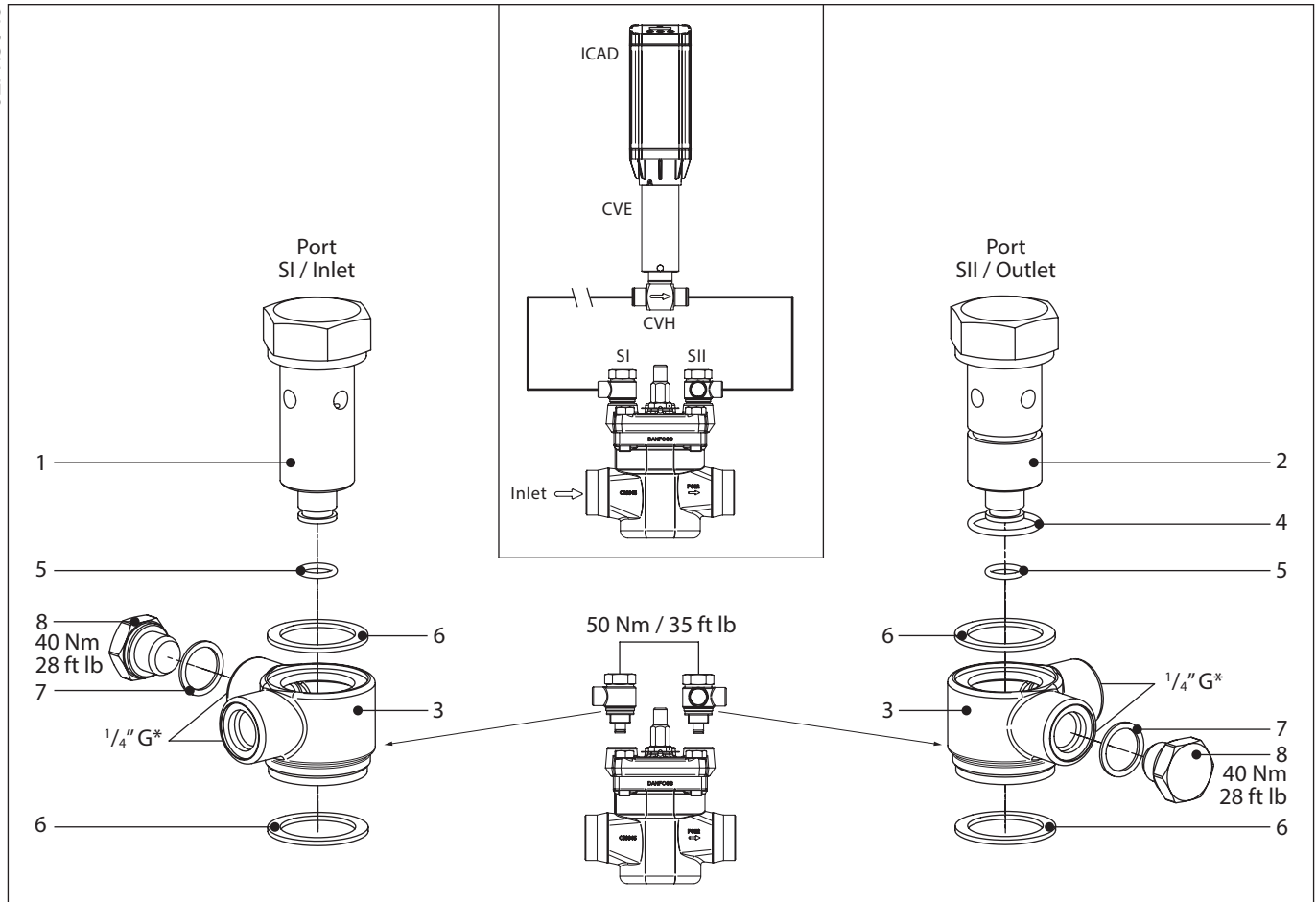
Installation guide - Spare parts and accessories

CVE pilot valve

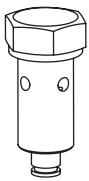
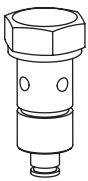

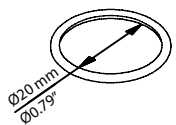
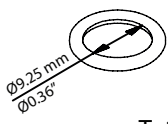
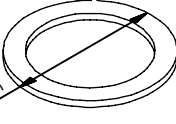
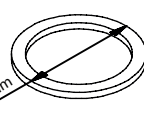
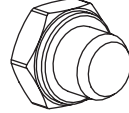
Inlet and outlet fittings for external pilot lines | 027B0995

027R5045

027R5045



*Welding connector (code number 027B2035). For more details please look up the code number on www.danfoss.com

<p>1</p>  <p>Total no. = 1</p>	<p>2</p>  <p>Total no. = 1</p>	<p>3</p>  <p>Total no. = 2</p>	<p>4</p>  <p>Total no. = 1</p>
<p>5</p>  <p>Total no. = 2</p>	<p>6</p>  <p>▨ = Fibre Total no. = 4</p>	<p>7</p>  <p>▨ = Alu. Total no. = 2</p>	<p>8</p>  <p>Total no. = 2</p>

Use plug A + B (code number 027F1046) in Port P if no parallel function is required. For more details please look up the code number on www.danfoss.com