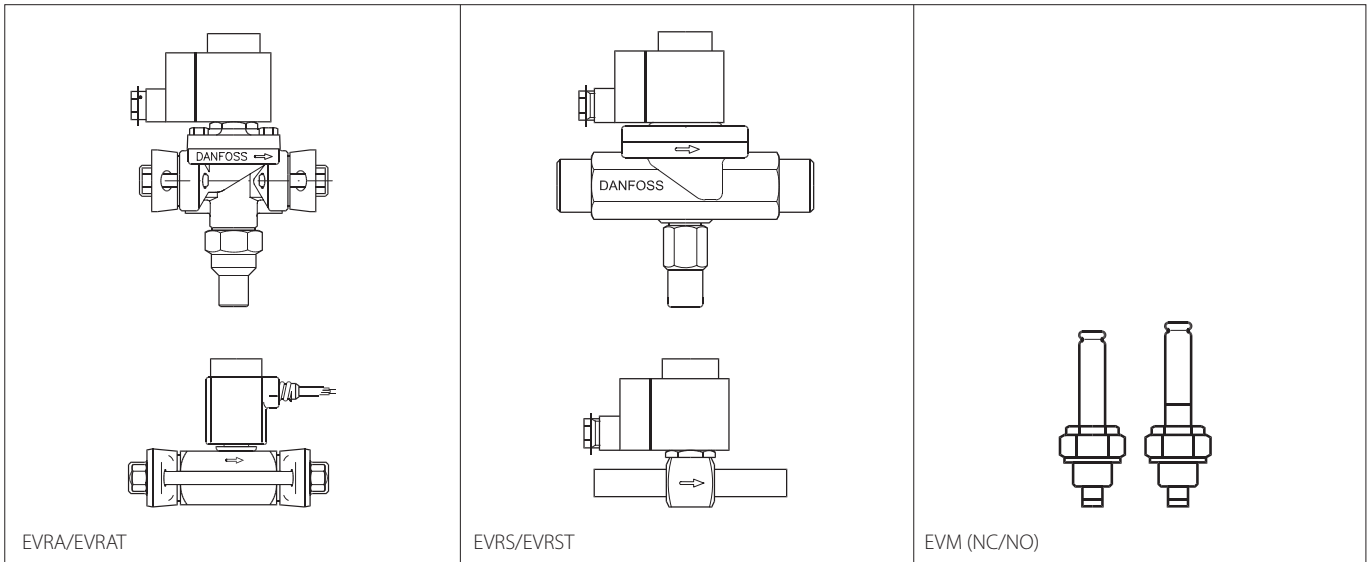


Data sheet

Spare parts and accessories

Solenoid valves, types EVRA, EVRAT, EVRS and EVRST
Pilot valves, types EVM (NC) and EVM (NO)



Valve type	Size	See details on page #	Code no.
Inspection kits			
EVRA	25	2	032F2326
EVRA	32/40	3	032F2327*
Repair kits			
EVRA / EVRS	3	4	032F2329
EVRA / EVRS	10	5	032F2330
EVRA / EVRS	15	6	032F2331
EVRA / EVRS	20	7	032F2332
EVRA / EVRS	25	8	032F2333
EVRA / EVRS	32	9	032F2334
EVRA / EVRS	40	10	032F2335
EVRAT / EVRST	10	11	032F2343
EVRAT / EVRST	15	12	032F2344
EVRAT / EVRST	20	13	032F2345
EVM NC		14	032F2324
EVM NO		15	032F2325

Overhaul kits (Previous valve design)			
EVRA	10	16	032F2202
EVRA	15	17	032F2209
EVRA	20	18	032F2210
EVRA	25	19	032F2218
EVRAT	10	20	032F2321
EVRAT	15	21	032F2322
EVRAT	20	22	032F2323

Valve type	Size	See details on page #	Code no.
Overhaul kits (Current valve design)			
EVRA / EVRS	3	23	032F2336
EVRA / EVRS	10	24	032F2337
EVRA / EVRS	15	25	032F2338
EVRA / EVRS	20	26	032F2339
EVRA / EVRS	25	27	032F2340
EVRA / EVRS	32	28	032F2341
EVRA / EVRS	40	29	032F2342
EVRAT / EVRST	10	30	032F2346
EVRAT / EVRST	15	31	032F2347
EVRAT / EVRST	20	32	032F2348

* Also applicable for AKVA 20

Inspection kits:

Contain all gaskets, O-rings and aluminium rings belonging to 1 valve size.
For detailed content, see specific pages mentioned above.

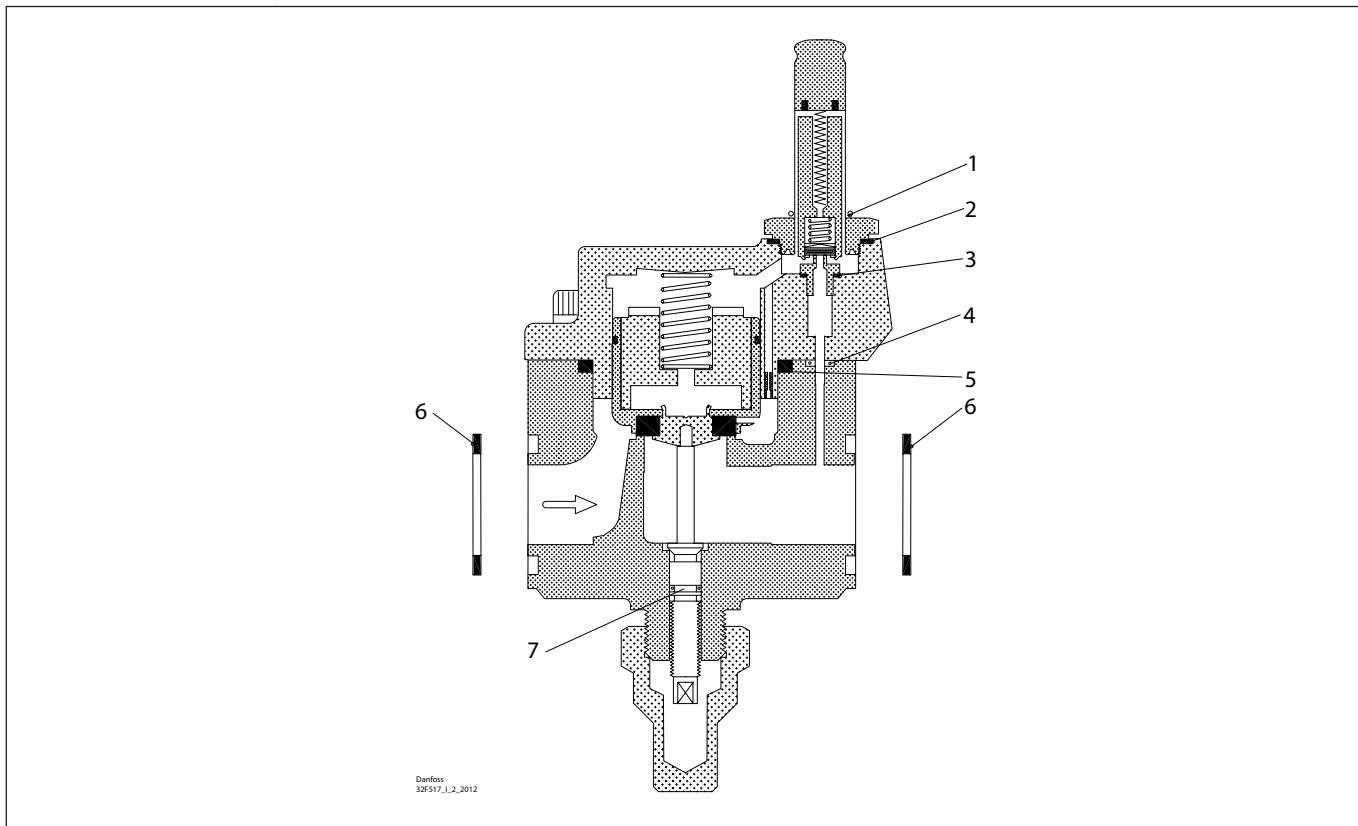
Repair kits:

Contain all gaskets, O-rings and aluminium rings belonging to 1 valve size, armature, diaphragm, piston and piston ring.
For detailed content, see specific pages mentioned above.

Overhaul kits:

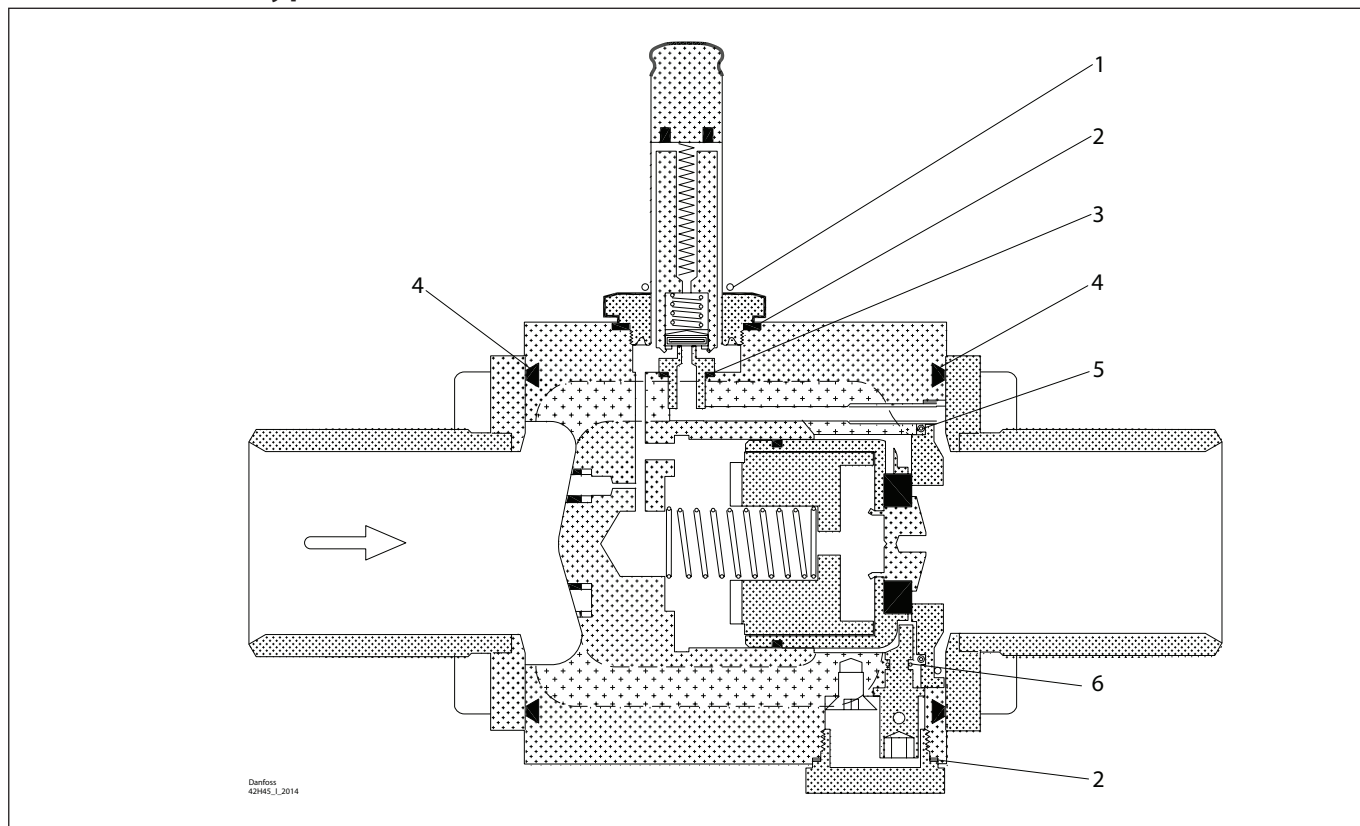
Contain all gaskets, O-rings and aluminium rings belonging to 1 valve size and parts that could be damaged or worn out.
For detailed content, see specific pages mentioned above.

Inspection kit | Code number 032F2326
Solenoid valve, type EVRA, size 25



<p>1</p> <p>Total no. = 1</p>	<p>2</p> <p>▨ = Alu.</p> <p>Total no. = 1</p>	<p>3</p> <p>▨ = Alu.</p> <p>Total no. = 1</p>	<p>4</p> <p>Total no. = 1</p>	<p>5</p> <p>▨ = Rubber</p> <p>Total no. = 1</p>	<p>6</p> <p>▨ = Fibre</p> <p>Total no. = 2</p>
<p>7</p> <p>Total no. = 1</p>					

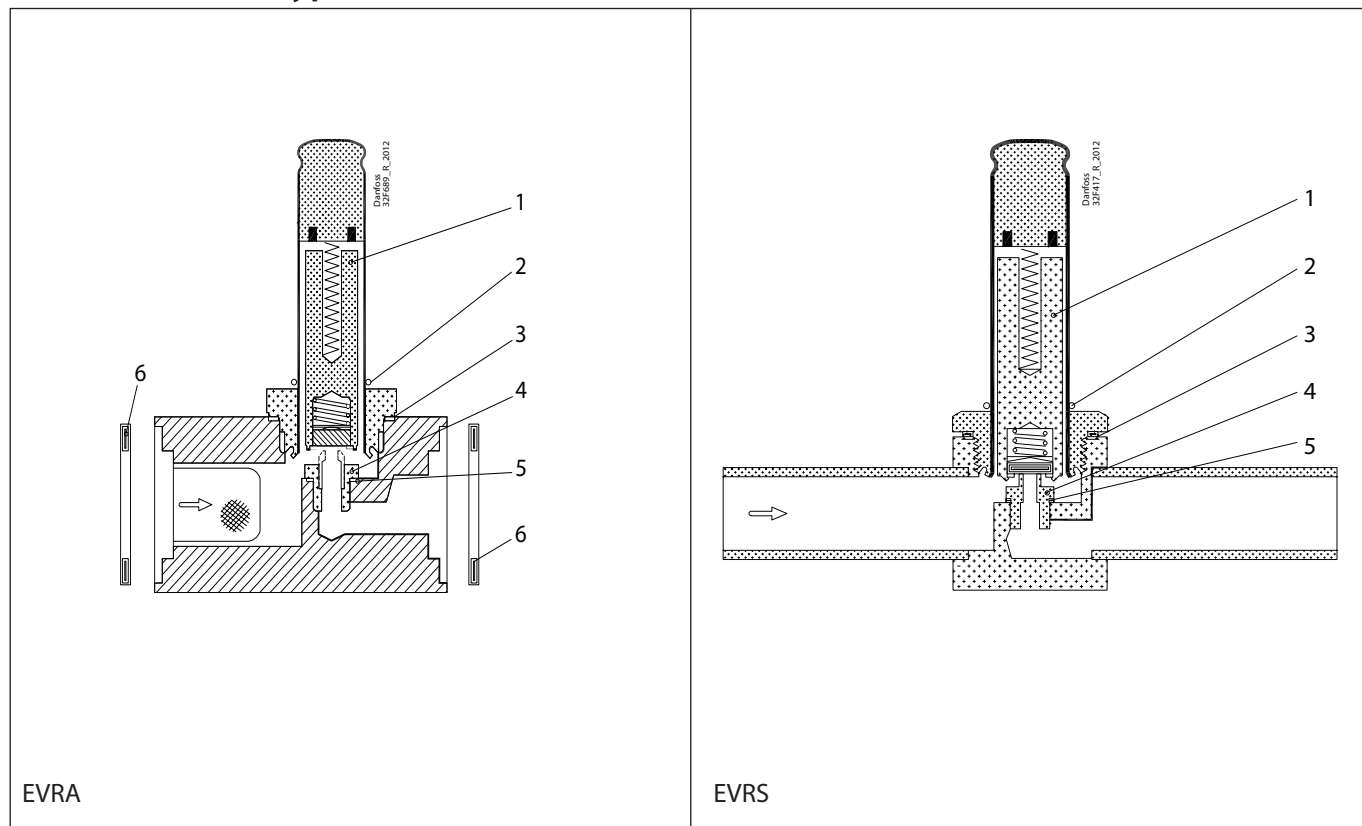
Inspection kit | Code number 032F2327
Solenoid valve, type EVRA, size 32/40



<p>1</p> <p>Total no. = 1</p>	<p>2</p> <p>Alu.</p> <p>Total no. = 2</p>	<p>3</p> <p>Alu.</p> <p>Total no. = 1</p>	<p>4</p> <p>Total no. = 2</p>	<p>5</p> <p>Total no. = 1</p>
<p>6</p> <p>Total no. = 1</p>				

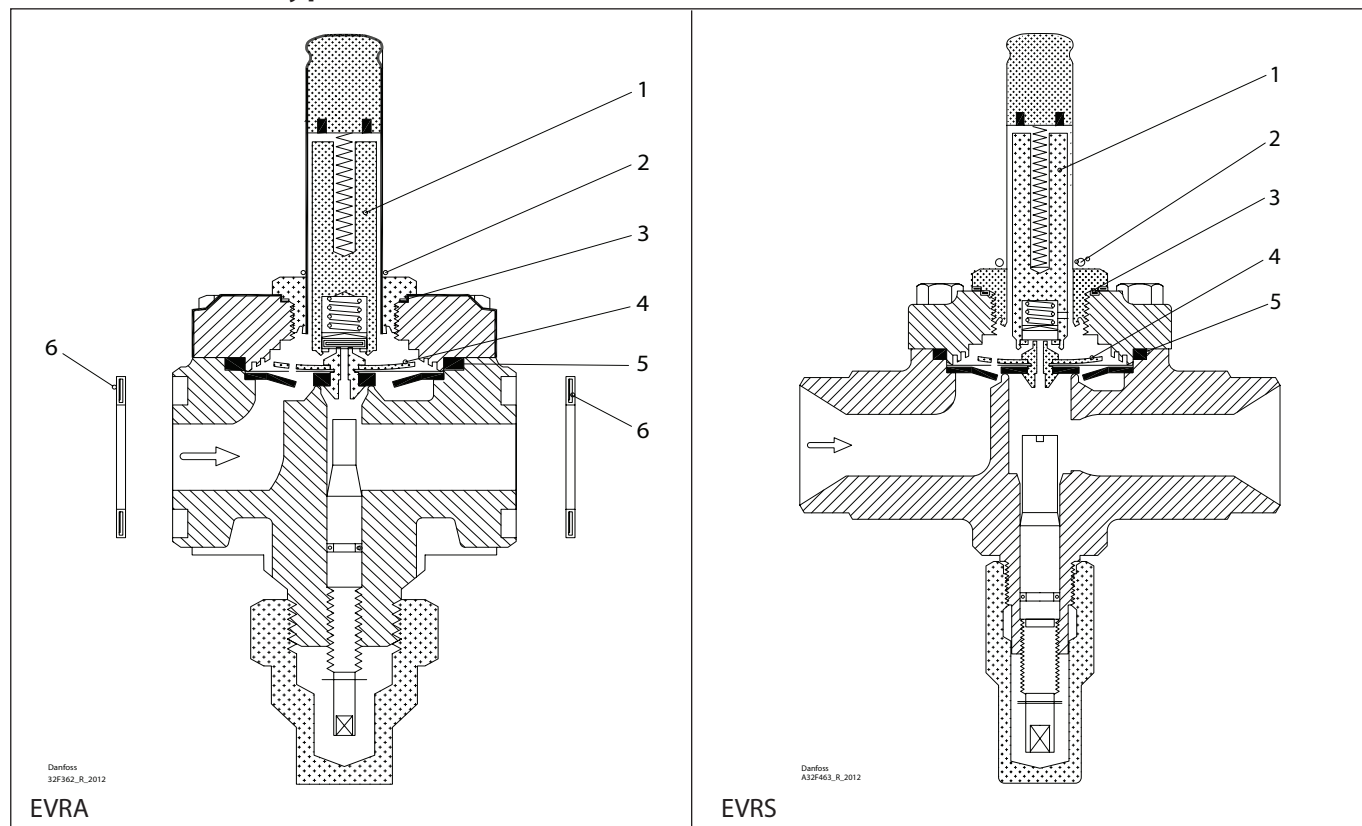
032F2327 can also be used for electric expansion valve, type AKVA 20

Repair kit | Code number 032F2329 Solenoid valves, types EVRA and EVRS, size 3



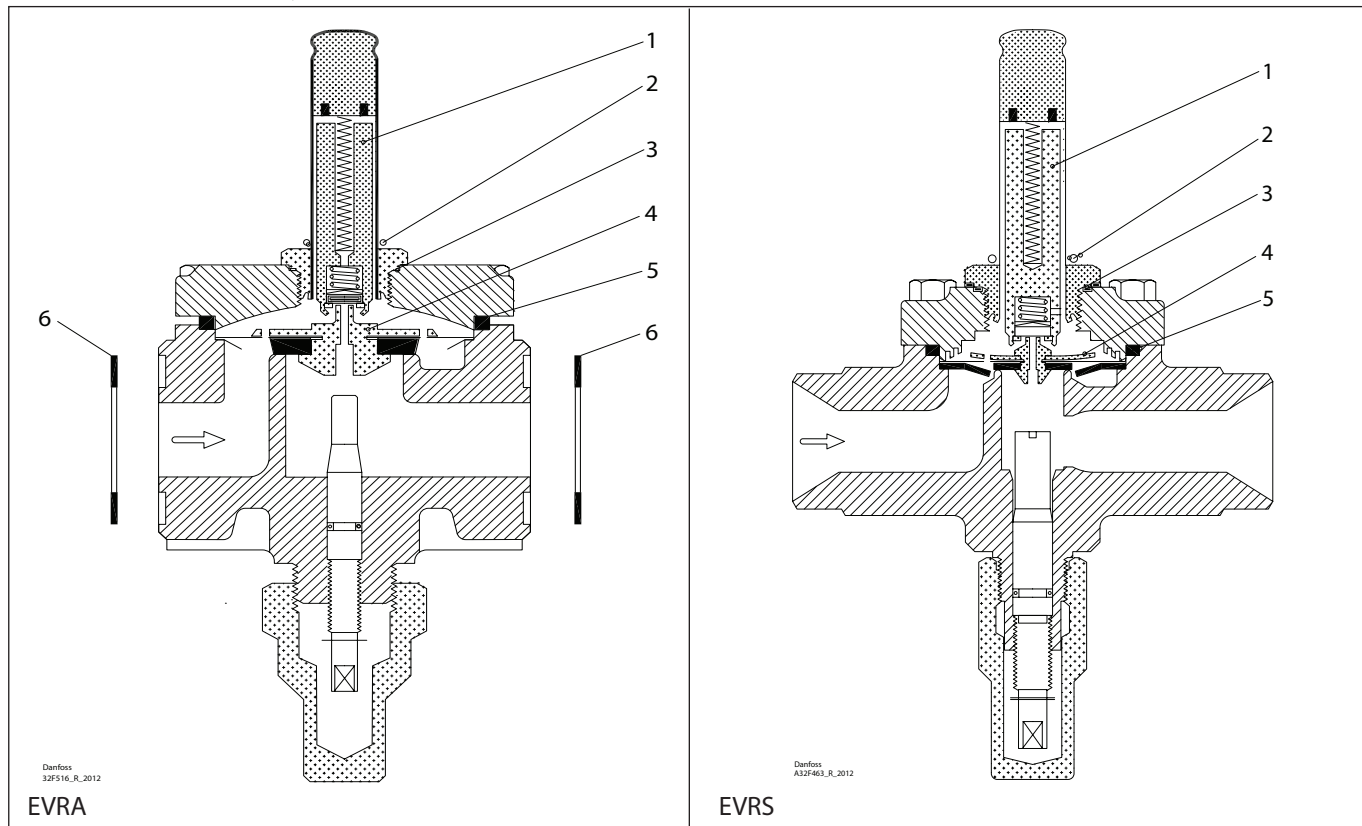
<p>1 For AC / DC</p> <p>Total no. = 1</p>	<p>2</p> <p>Total no. = 1</p>	<p>3</p> <p>— = Alu.</p> <p>Total no. = 1</p>	<p>4</p> <p>Total no. = 1</p>	<p>5</p> <p>— = Alu.</p> <p>Total no. = 1</p>	<p>6</p> <p>— = Fibre</p> <p>Total no. = 2</p>
--	--------------------------------------	--	--------------------------------------	--	---

Repair kit | Code number 032F2330 Solenoid valves, types EVRA and EVRS, size 10



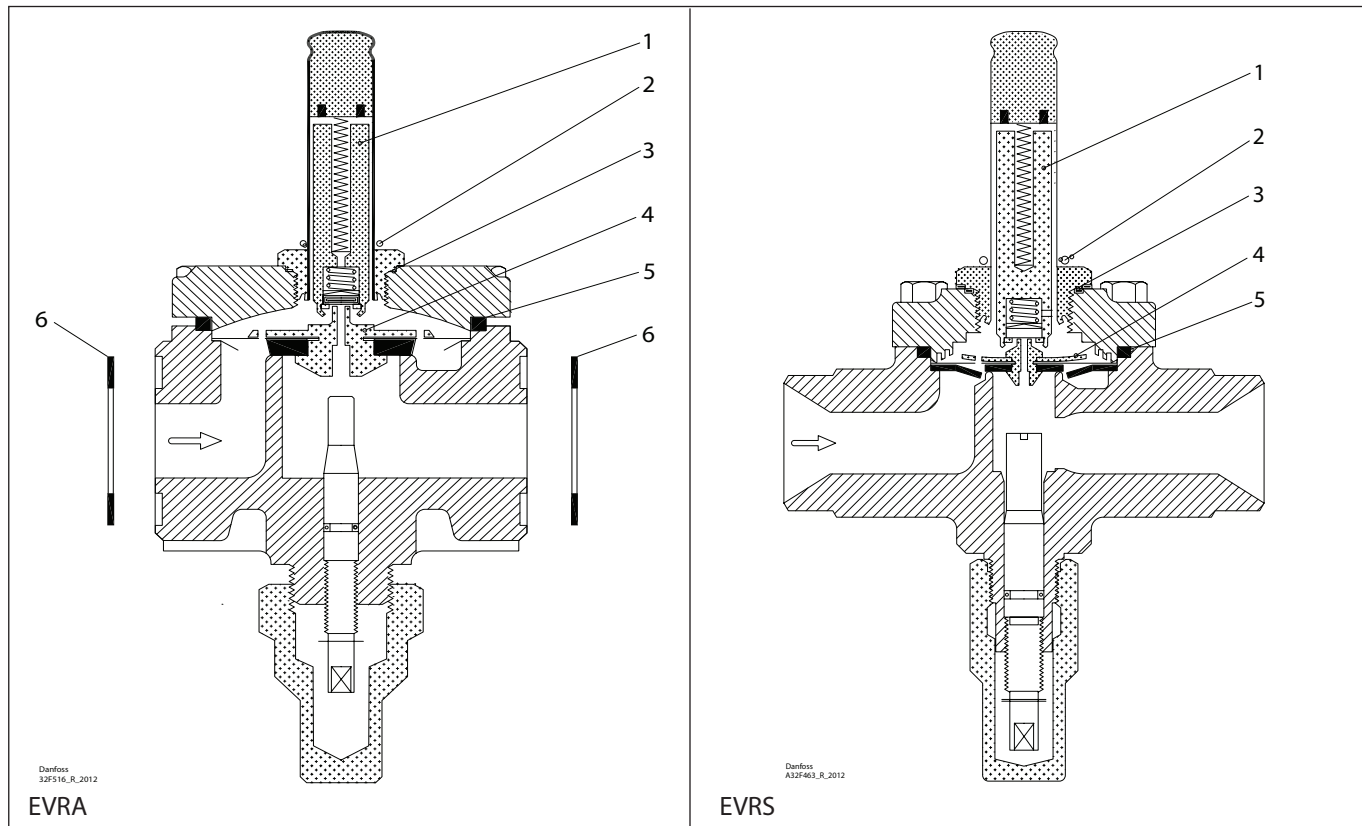
<p>1 For AC / DC</p> <p>Total no. = 1</p>	<p>2</p> <p>Total no. = 1</p>	<p>3 = Alu.</p> <p>Total no. = 1</p>	<p>4</p> <p>Total no. = 1</p>	<p>5 = Rubber</p> <p>Total no. = 1</p>	<p>6 = Fibre</p> <p>Total no. = 2</p>
--	--------------------------------------	---	--------------------------------------	---	--

Repair kit | Code number 032F2331
Solenoid valves, types EVRA and EVRS, size 15



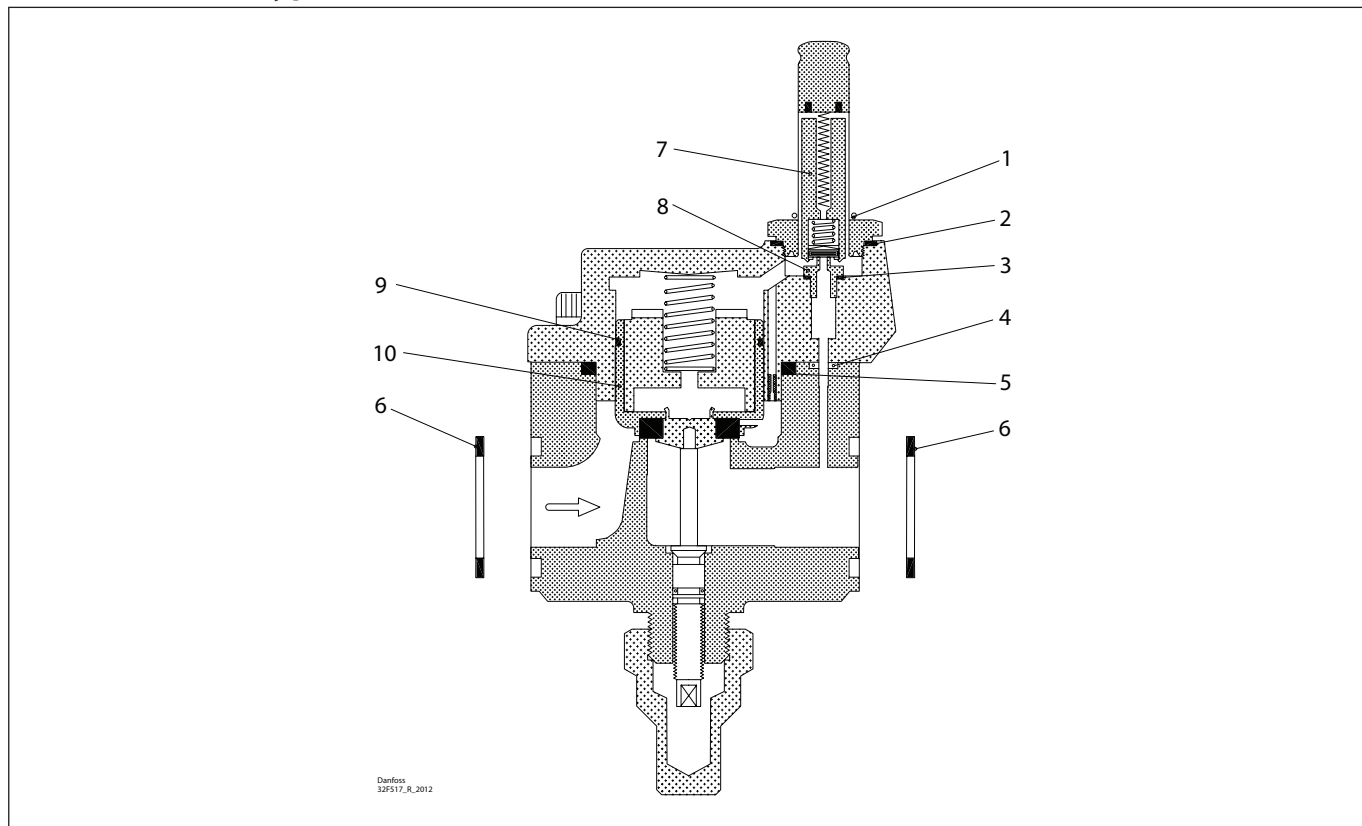
<p>1 For AC / DC</p> <p>Total no. = 1</p>	<p>2</p> <p>Ø14 mm Ø0.56"</p> <p>Total no. = 1</p>	<p>3 = Alu.</p> <p>Ø27 mm Ø1.04"</p> <p>Total no. = 1</p>	<p>4</p> <p>Ø31 mm Ø1.22"</p> <p>Total no. = 1</p>	<p>5 = Rubber</p> <p>Ø49 mm Ø1.92"</p> <p>Total no. = 1</p>	<p>6 = Fibre</p> <p>Ø32 mm Ø1.26"</p> <p>Total no. = 2</p>
--	---	--	---	--	---

Repair kit | Code number 032F2332
EVRA and EVRS, size 20



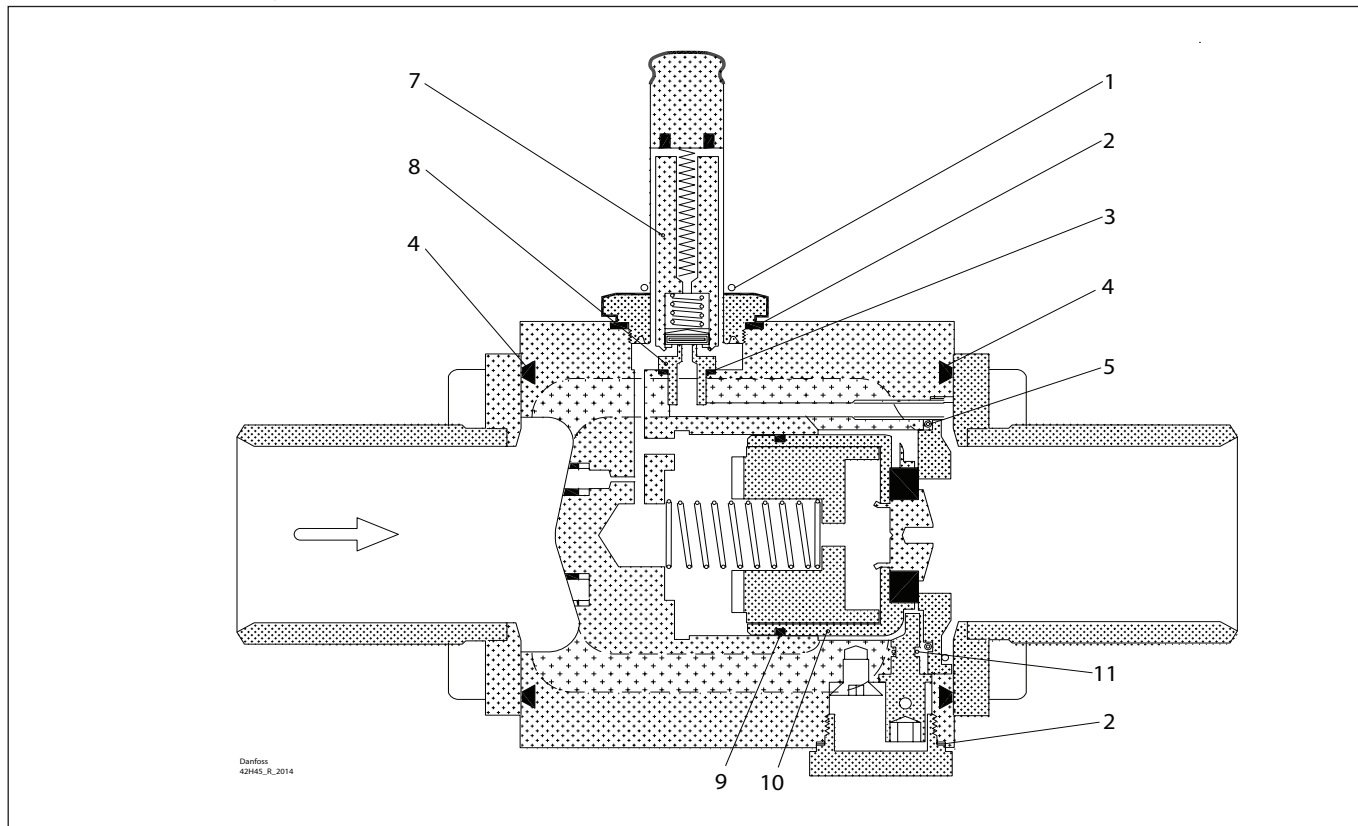
<p>1 For AC / DC</p> <p>Total no. = 1</p>	<p>2</p> <p>Total no. = 1</p>	<p>3 = Alu.</p> <p>Total no. = 1</p>	<p>4</p> <p>Total no. = 1</p>	<p>5 = Rubber</p> <p>Total no. = 1</p>	<p>6 = Fibre</p> <p>Total no. = 2</p>
--	--------------------------------------	---	--------------------------------------	---	--

Repair kit | Code number 032F2333
Solenoid valve, type EVRA, size 25



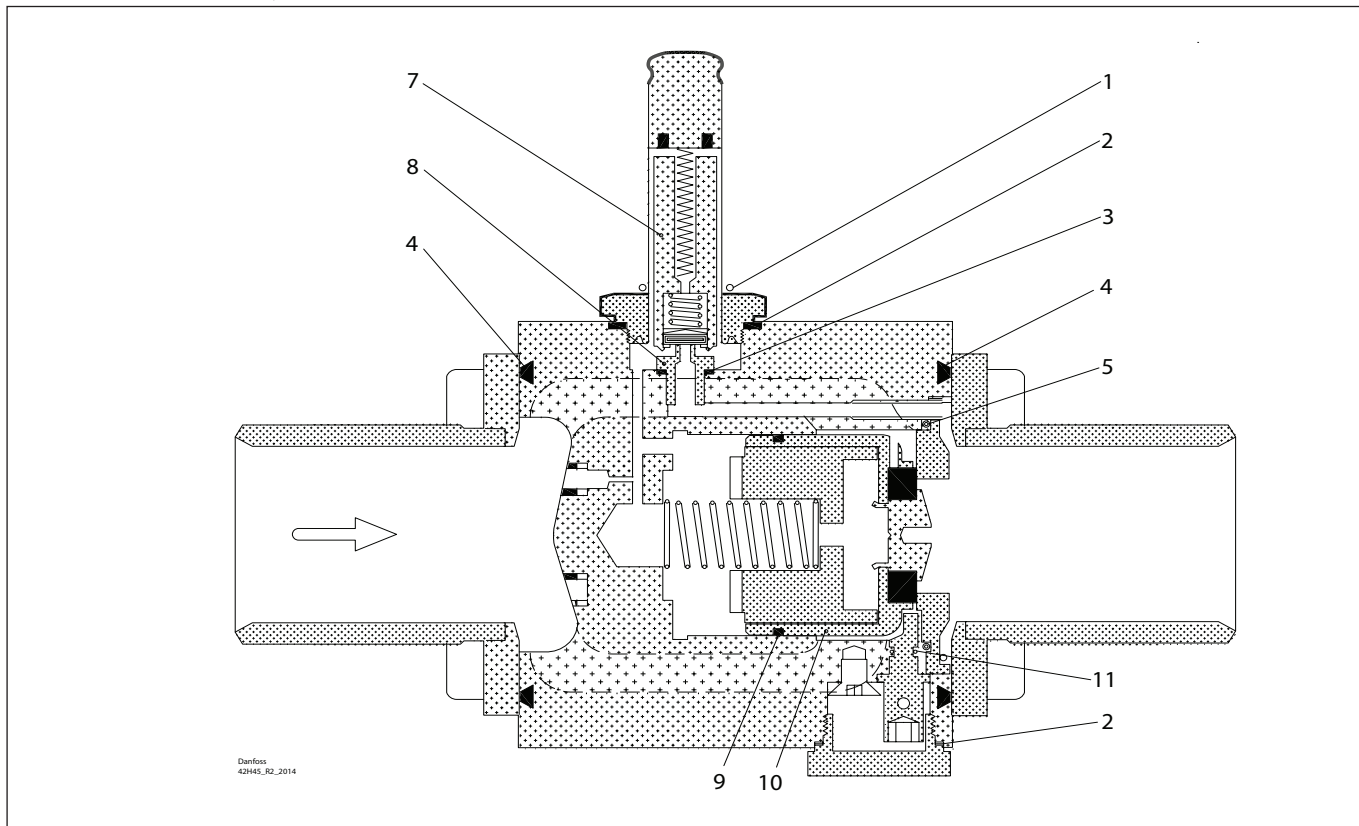
<p>1</p> <p>Total no. = 1</p>	<p>2</p> <p>Alu.</p> <p>Total no. = 1</p>	<p>3</p> <p>Alu.</p> <p>Total no. = 1</p>	<p>4</p> <p>Total no. = 1</p>	<p>5</p> <p>Rubber</p> <p>Total no. = 1</p>
<p>6</p> <p>Fibre</p> <p>Total no. = 2</p>	<p>7</p> <p>Total no. = 1</p>	<p>8</p> <p>Total no. = 1</p>	<p>9</p> <p>Steel</p> <p>Total no. = 1</p>	<p>10</p> <p>Total no. = 1</p>

Repair kit | Code number 032F2334
Solenoid valve, type EVRA, size 32



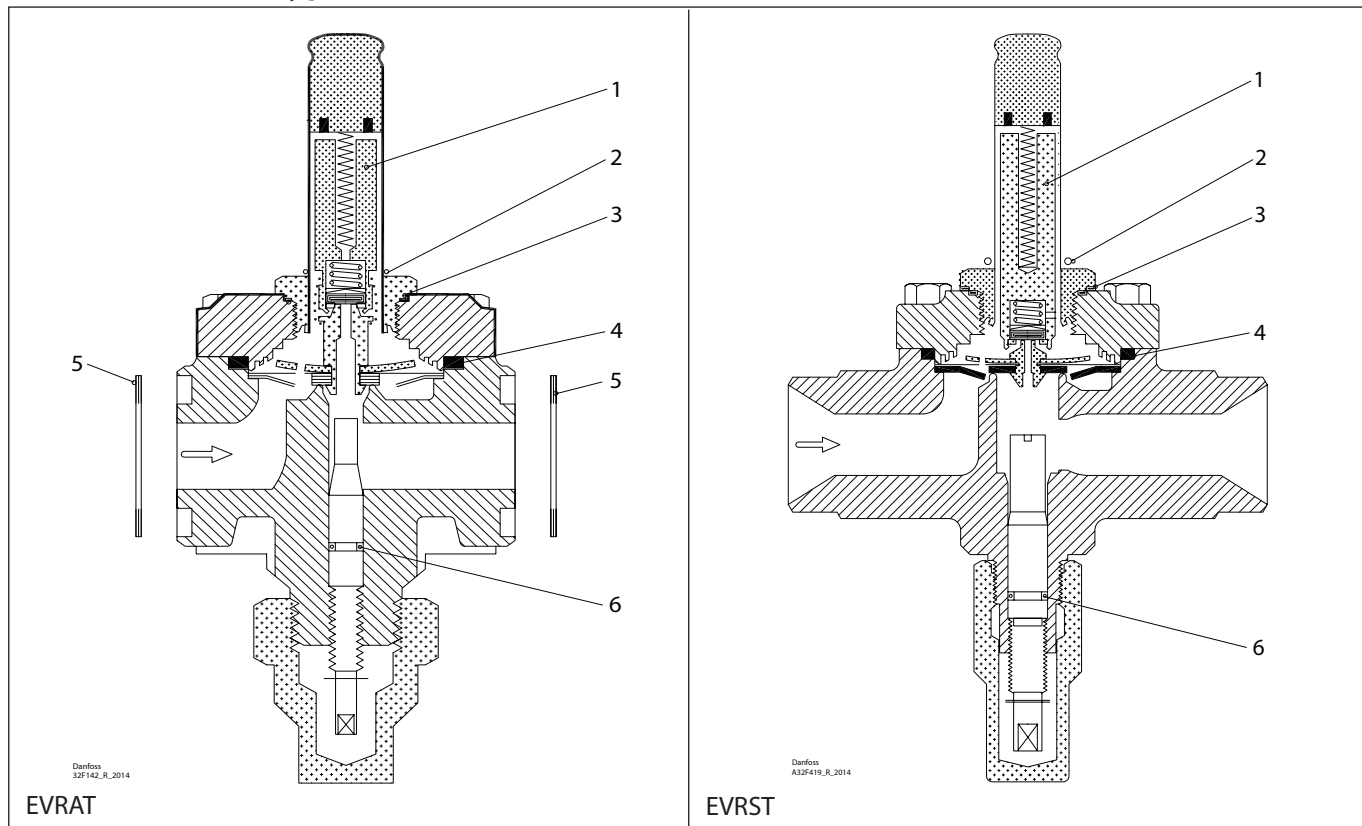
<p>1</p> <p>Ø14 mm Ø0.56"</p> <p>Total no. = 1</p>	<p>2</p> <p>Alu.</p> <p>Ø27 mm Ø1.04"</p> <p>Total no. = 2</p>	<p>3</p> <p>Alu.</p> <p>Ø10 mm Ø0.40"</p> <p>Total no. = 1</p>	<p>4</p> <p>Ø66 mm Ø2.60"</p> <p>Total no. = 2</p>	<p>5</p> <p>Ø42 mm Ø1.66"</p> <p>Total no. = 1</p>
<p>7</p> <p>42.5 mm 1.67"</p> <p>Total no. = 1</p>	<p>8</p> <p>Ø33.3 mm Ø1.3"</p> <p>Total no. = 1</p>	<p>9</p> <p>Steel</p> <p>Ø44 mm Ø1.73"</p> <p>Total no. = 1</p>	<p>10</p> <p>Total no. = 1</p>	<p>11</p> <p>Ø4 mm Ø0.2"</p> <p>Total no. = 1</p>

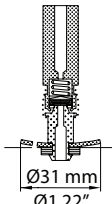
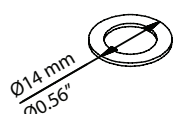
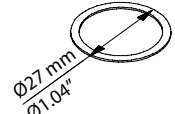
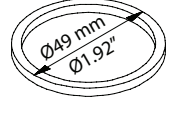
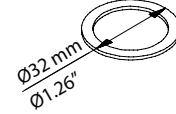

Repair kit | Code number 032F2335
Solenoid valve, type EVRA, size 40



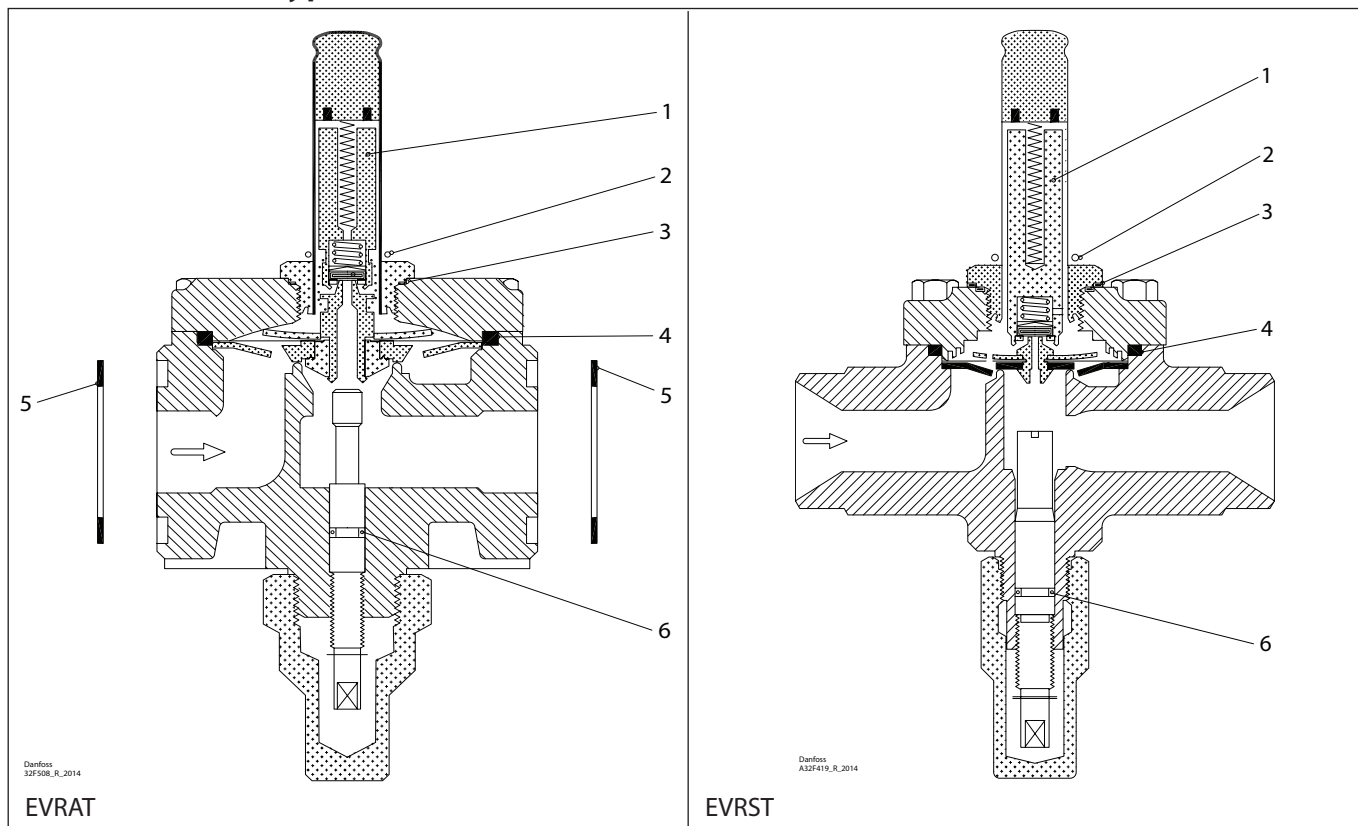
<p>1</p> <p>Total no. = 1</p>	<p>2</p> <p>Total no. = 2</p>	<p>3</p> <p>Total no. = 1</p>	<p>4</p> <p>Total no. = 2</p>	<p>5</p> <p>Total no. = 1</p>
<p>7</p> <p>Total no. = 1</p>	<p>8</p> <p>Total no. = 1</p>	<p>9</p> <p>Total no. = 1</p>	<p>10</p> <p>Total no. = 1</p>	<p>11</p> <p>Total no. = 1</p>

Repair kit | Code number 032F234335
Solenoid valves, types EVRAT and EVRST, size 10



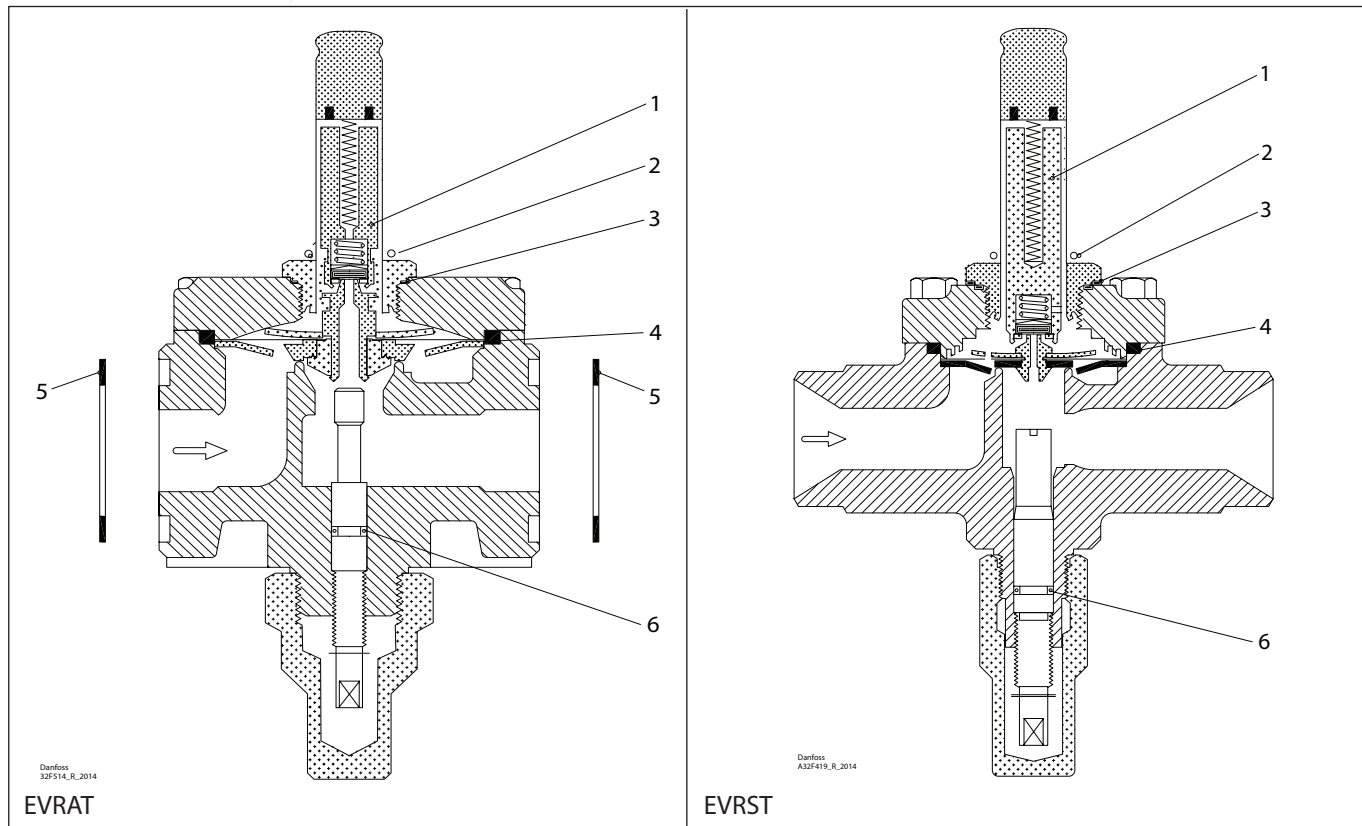
<p>1</p>  <p>Ø31 mm Ø1.22"</p> <p>Total no. = 1</p>	<p>2</p>  <p>Ø14 mm Ø0.56"</p> <p>Total no. = 1</p>	<p>3</p> <p>— = Alu.</p>  <p>Ø27 mm Ø1.04"</p> <p>Total no. = 1</p>	<p>4</p> <p>▨ = Rubber</p>  <p>Ø49 mm Ø1.92"</p> <p>Total no. = 1</p>	<p>5</p> <p>— = Fibre</p>  <p>Ø32 mm Ø1.26"</p> <p>Total no. = 2</p>
<p>6</p>  <p>Ø5 mm Ø0.2"</p> <p>Total no. = 1</p>				

Repair kit | Code number 032F2344
Solenoid valves, types EVRAT and EVRST, size 15



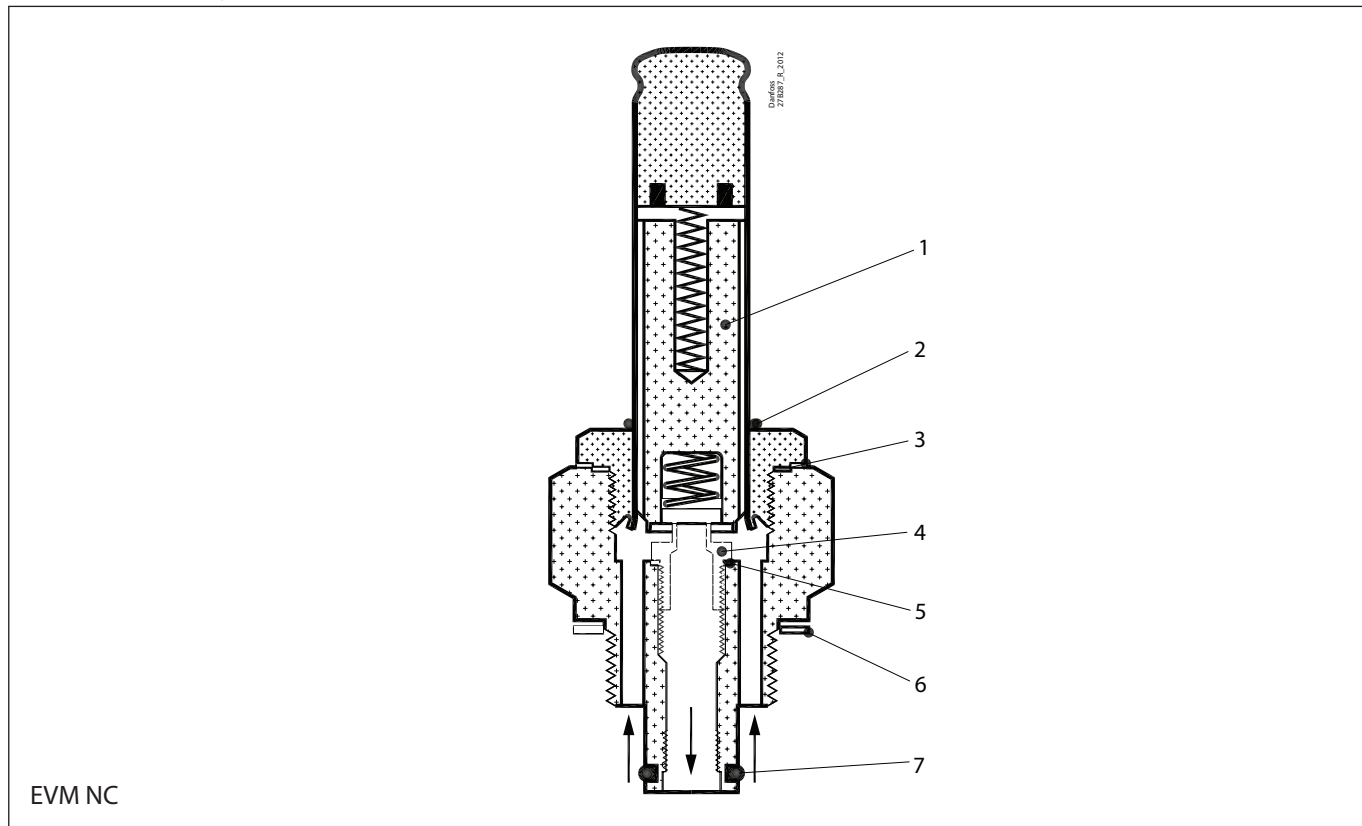
<p>1</p> <p>Ø31 mm Ø1.22"</p> <p>Total no. = 1</p>	<p>2</p> <p>Ø14 mm Ø0.56"</p> <p>Total no. = 1</p>	<p>3</p> <p>Ø27 mm Ø1.04"</p> <p>Total no. = 1</p>	<p>4</p> <p>Ø49 mm Ø1.92"</p> <p>Total no. = 1</p>	<p>5</p> <p>Ø32 mm Ø1.26"</p> <p>Total no. = 2</p>
<p>6</p> <p>Ø5 mm Ø0.2"</p> <p>Total no. = 1</p>				

Repair kit | Code number 032F2345
Solenoid valves, types EVRAT and EVRST, size 20



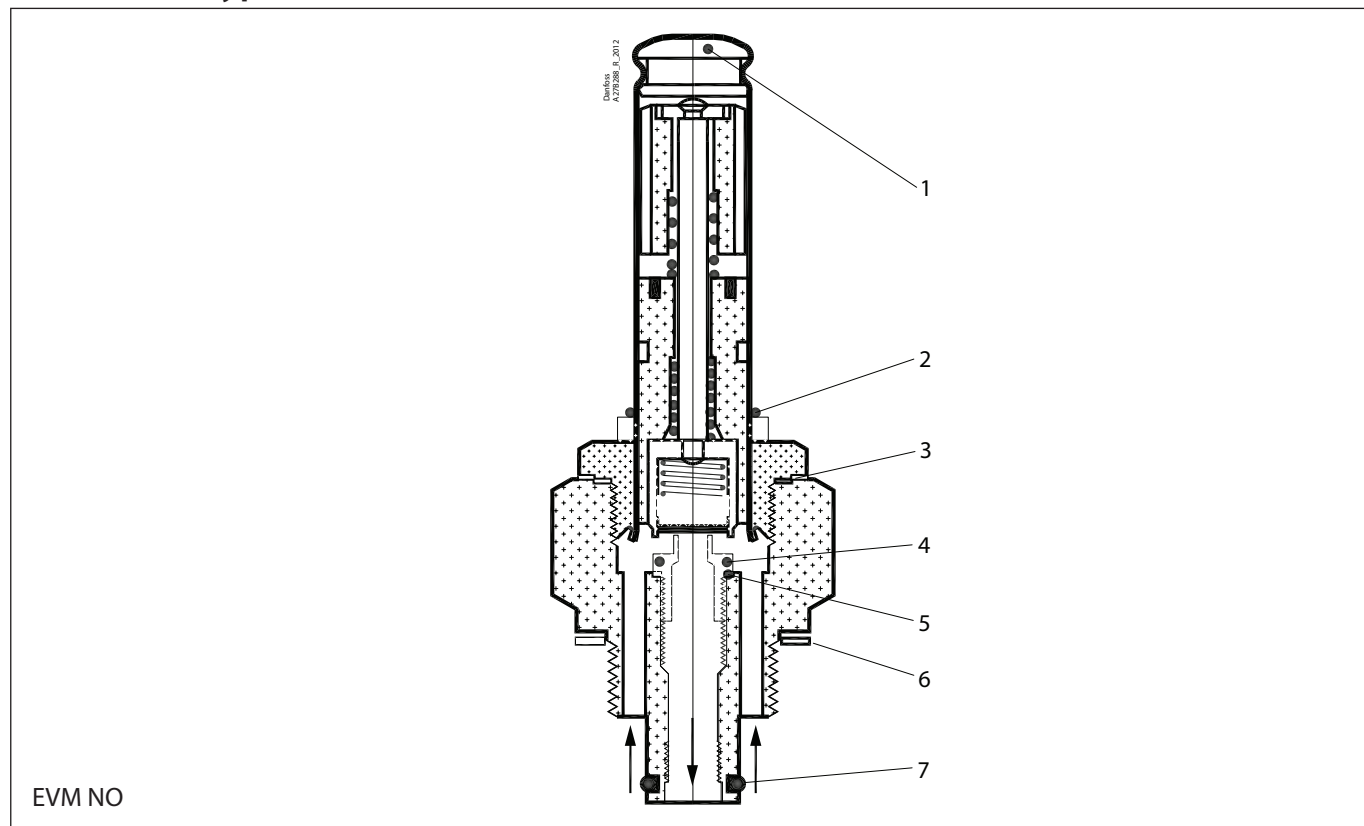
<p>1</p> <p>Ø38 mm Ø1.5"</p> <p>Total no. = 1</p>	<p>2</p> <p>Ø14 mm Ø0.56"</p> <p>Total no. = 1</p>	<p>3</p> <p>Ø27 mm Ø1.04"</p> <p>Total no. = 1</p>	<p>4</p> <p>Ø64 mm Ø2.52"</p> <p>Total no. = 1</p>	<p>5</p> <p>Ø39 mm Ø1.54"</p> <p>Total no. = 2</p>
<p>6</p> <p>Ø5 mm Ø0.2"</p> <p>Total no. = 1</p>				

Repair kit | Code number 032F2324
Pilot valves, types EVM (NC)



<p>1</p> <p>42.45 mm 1.71"</p> <p>Total no. = 1</p>	<p>2</p> <p>Ø14 mm Ø0.56"</p> <p>Total no. = 1</p>	<p>3</p> <p>— = Alu.</p> <p>Ø27 mm Ø1.04"</p> <p>Total no. = 1</p>	<p>4</p> <p>Ø3.3 mm Ø0.13"</p> <p>Total no. = 1</p>	<p>5</p> <p>— = Alu.</p> <p>Ø10 mm Ø0.4"</p> <p>Total no. = 1</p>	<p>6</p> <p>— = Fibre</p> <p>Ø33 mm Ø1.3"</p> <p>Total no. = 1</p>
<p>7</p> <p>Ø9 mm Ø0.35"</p> <p>Total no. = 1</p>					

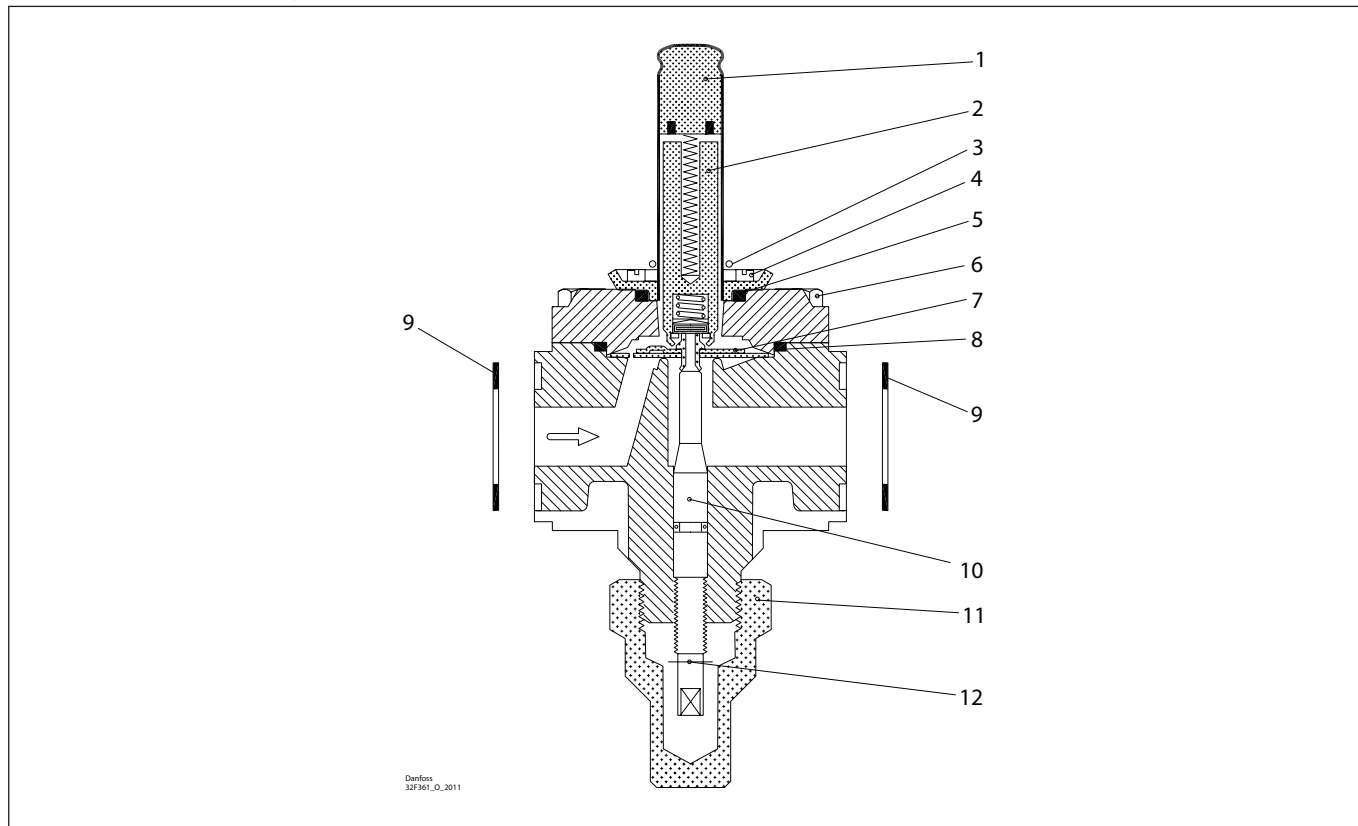
Repair kit | Code number 032F2325
Pilot valves, types EVM (NO)



EVM NO

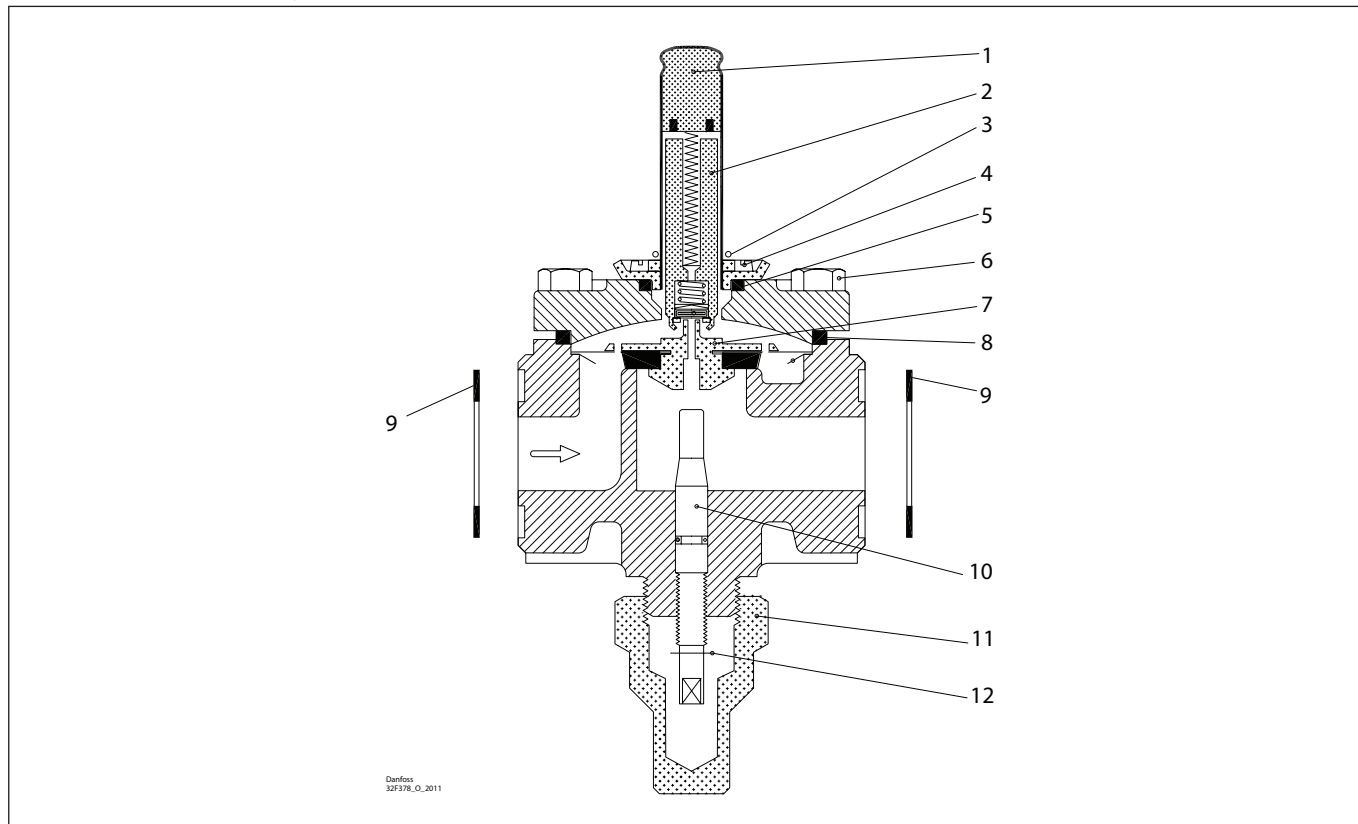
<p>1</p> <p>Total no. = 1</p>	<p>2</p> <p>$\varnothing 14 \text{ mm}$ $\varnothing 0.56''$</p> <p>Total no. = 1</p>	<p>3</p> <p>— = Alu.</p> <p>$\varnothing 27 \text{ mm}$ $\varnothing 1.04''$</p> <p>Total no. = 1</p>	<p>4</p> <p>$\varnothing 1.8 \text{ mm}$ $\varnothing 0.07''$</p> <p>Total no. = 1</p>	<p>5</p> <p>— = Alu.</p> <p>$\varnothing 10 \text{ mm}$ $\varnothing 0.4''$</p> <p>Total no. = 1</p>	<p>6</p> <p>— = Fibre</p> <p>$\varnothing 33 \text{ mm}$ $\varnothing 1.3''$</p> <p>Total no. = 2</p>
<p>7</p> <p>$\varnothing 9 \text{ mm}$ $\varnothing 0.35''$</p> <p>Total no. = 1</p>					

Overhaul kit | Code number 032F2202
Solenoid valve, type EVRA, size 10 (previous design)



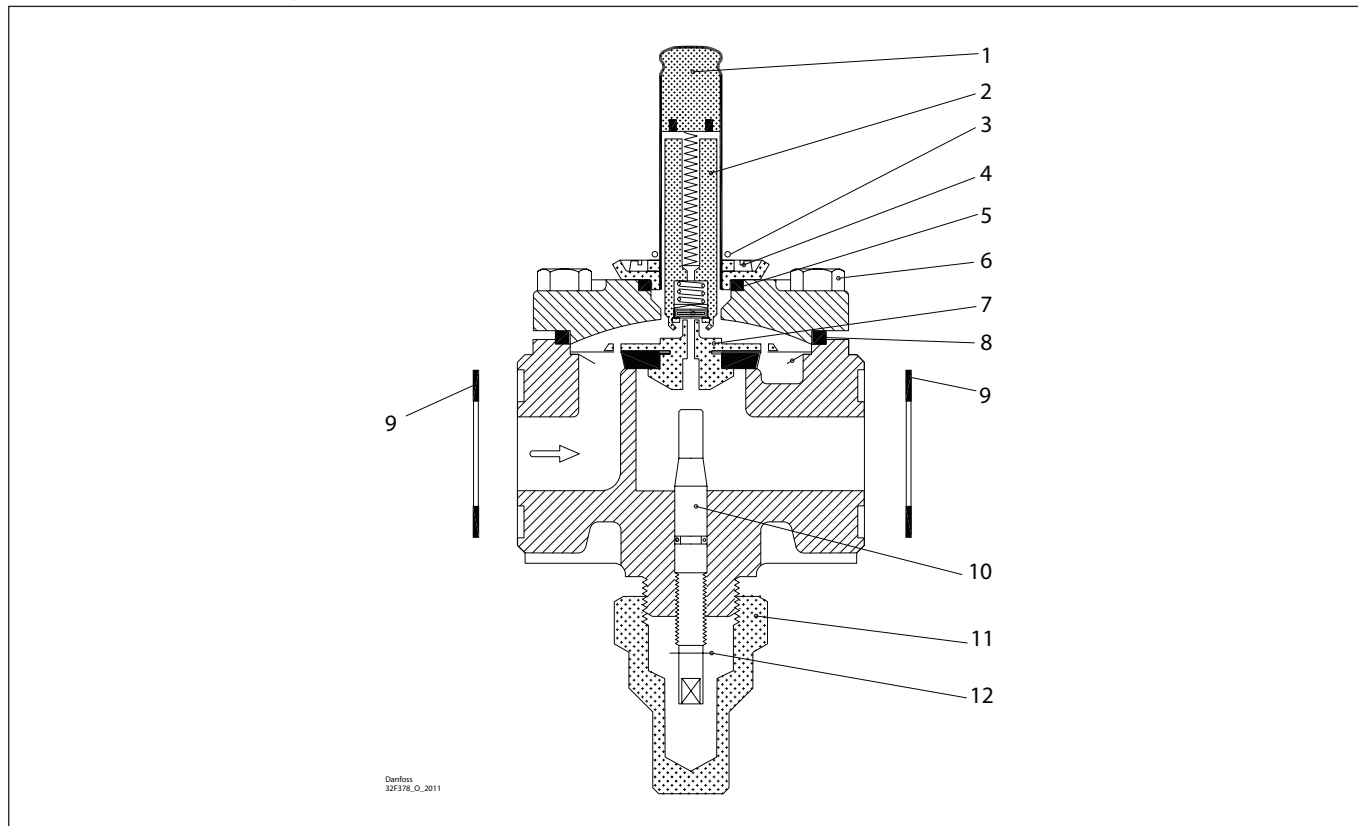
<p>1</p> <p>Total no. = 1</p>	<p>2 For AC/DC</p> <p>Total no. = 1</p>	<p>3</p> <p>Total no. = 1</p>	<p>4</p> <p>Total no. = 4</p>	<p>5 = Rubber</p> <p>Total no. = 1</p>	<p>6</p> <p>Total no. = 4</p>
<p>7</p> <p>Total no. = 1</p>	<p>8 = Rubber</p> <p>Total no. = 1</p>	<p>9 = Fibre</p> <p>Total no. = 2</p>	<p>10</p> <p>Total no. = 1</p>	<p>11</p> <p>Total no. = 1</p>	<p>12</p> <p>Total no. = 1</p>

Overhaul kit | Code number 032F2209
Solenoid valve, type EVRA, size 15 (previous design)



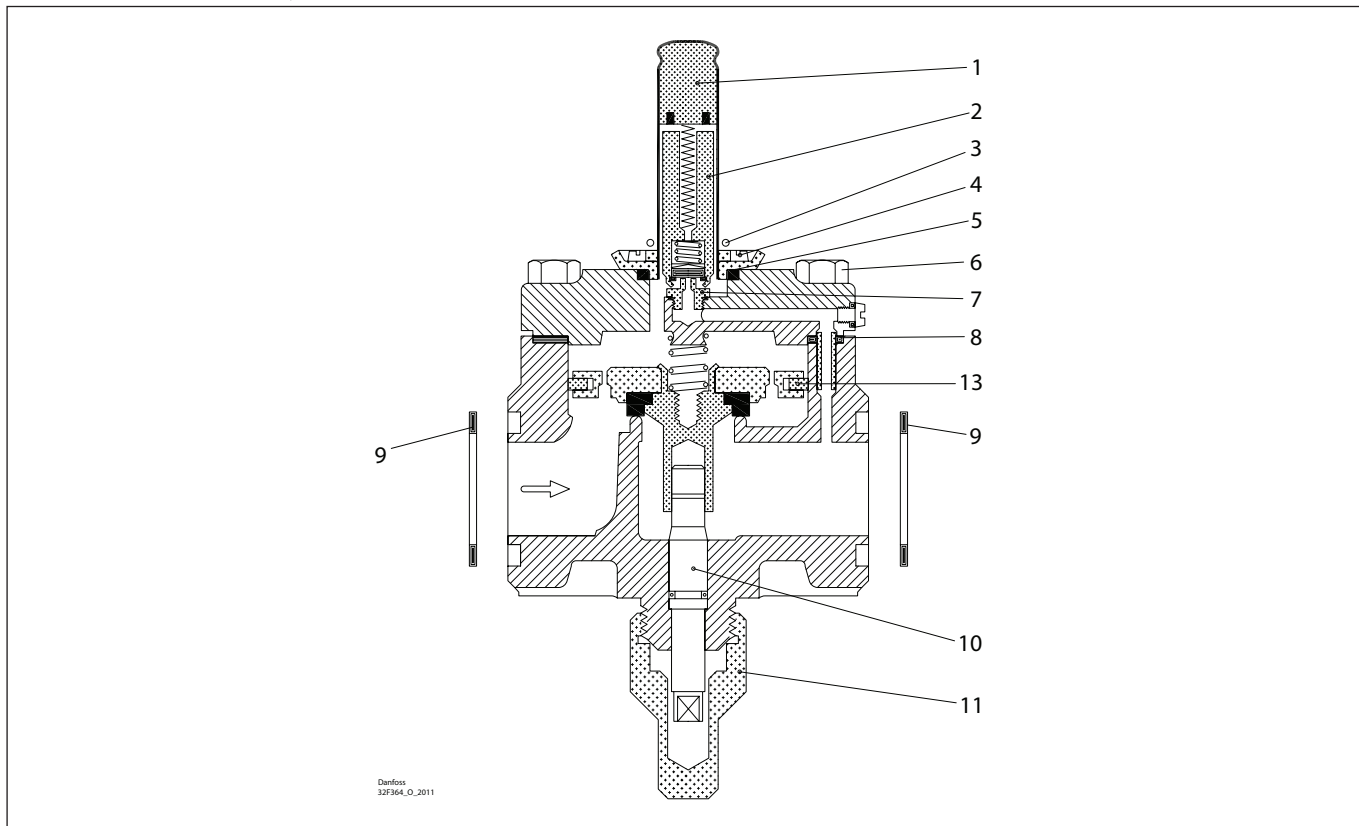
<p>1</p> <p>Total no. = 1</p>	<p>2 For AC/DC</p> <p>Total no. = 1</p>	<p>3</p> <p>Total no. = 1</p>	<p>4</p> <p>Total no. = 4</p>	<p>5 = Rubber</p> <p>Total no. = 1</p>	<p>6</p> <p>Total no. = 4</p>
<p>7</p> <p>Total no. = 1</p>	<p>8 = Rubber</p> <p>Total no. = 1</p>	<p>9 = Fibre</p> <p>Total no. = 2</p>	<p>10</p> <p>Total no. = 1</p>	<p>11</p> <p>Total no. = 1</p>	<p>12</p> <p>Total no. = 1</p>

Overhaul kit | Code number 032F2210
Solenoid valve, type EVRA, size 20 (previous design)



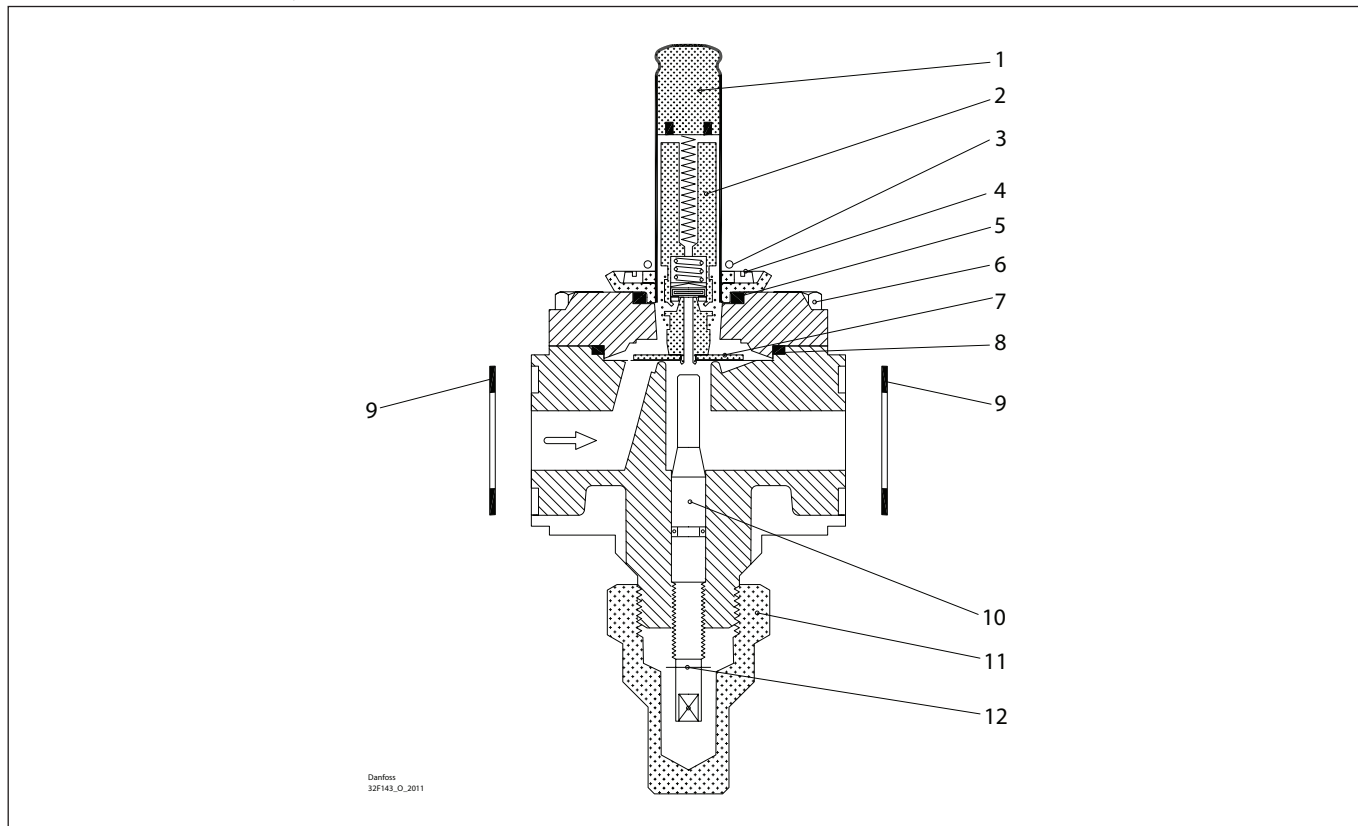
<p>1</p> <p>Total no. = 1</p>	<p>2 For AC/DC</p> <p>Total no. = 1</p>	<p>3</p> <p>Total no. = 1</p>	<p>4</p> <p>Total no. = 4</p>	<p>5 = Rubber</p> <p>Total no. = 1</p>	<p>6</p> <p>Total no. = 4</p>
<p>7</p> <p>Total no. = 1</p>	<p>8 = Rubber</p> <p>Total no. = 1</p>	<p>9 = Fibre</p> <p>Total no. = 2</p>	<p>10</p> <p>Total no. = 1</p>	<p>11</p> <p>Total no. = 1</p>	<p>12</p> <p>Total no. = 1</p>

Overhaul kit | Code number 032F2218
Solenoid valve, type EVRA, size 25 (previous design)



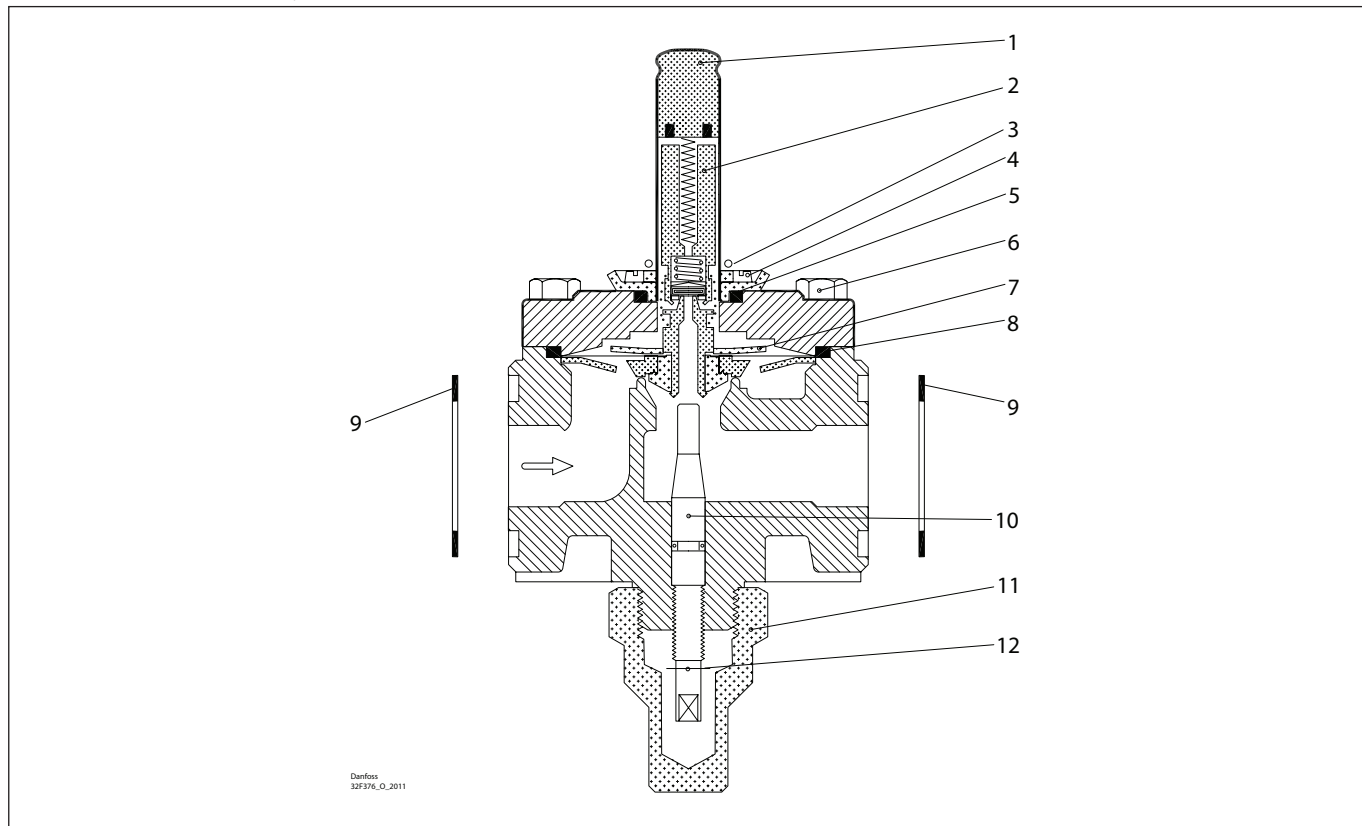
<p>1</p> <p>Total no. = 1</p>	<p>2 For AC/DC</p> <p>Total no. = 1</p>	<p>3</p> <p>Total no. = 1</p>	<p>4</p> <p>Total no. = 4</p>	<p>5 = Rubber</p> <p>Total no. = 1</p>	<p>6</p> <p>Total no. = 4</p>
<p>7</p> <p>Total no. = 1</p>	<p>8 = Fibre</p> <p>Total no. = 1</p>	<p>9 = Fibre</p> <p>Total no. = 2</p>	<p>10</p> <p>Total no. = 1</p>	<p>11</p> <p>Total no. = 1</p>	<p>13</p> <p>Total no. = 1</p>

Overhaul kit | Code number 032F2321
Solenoid valve, type EVRAT, size 10 (previous design)



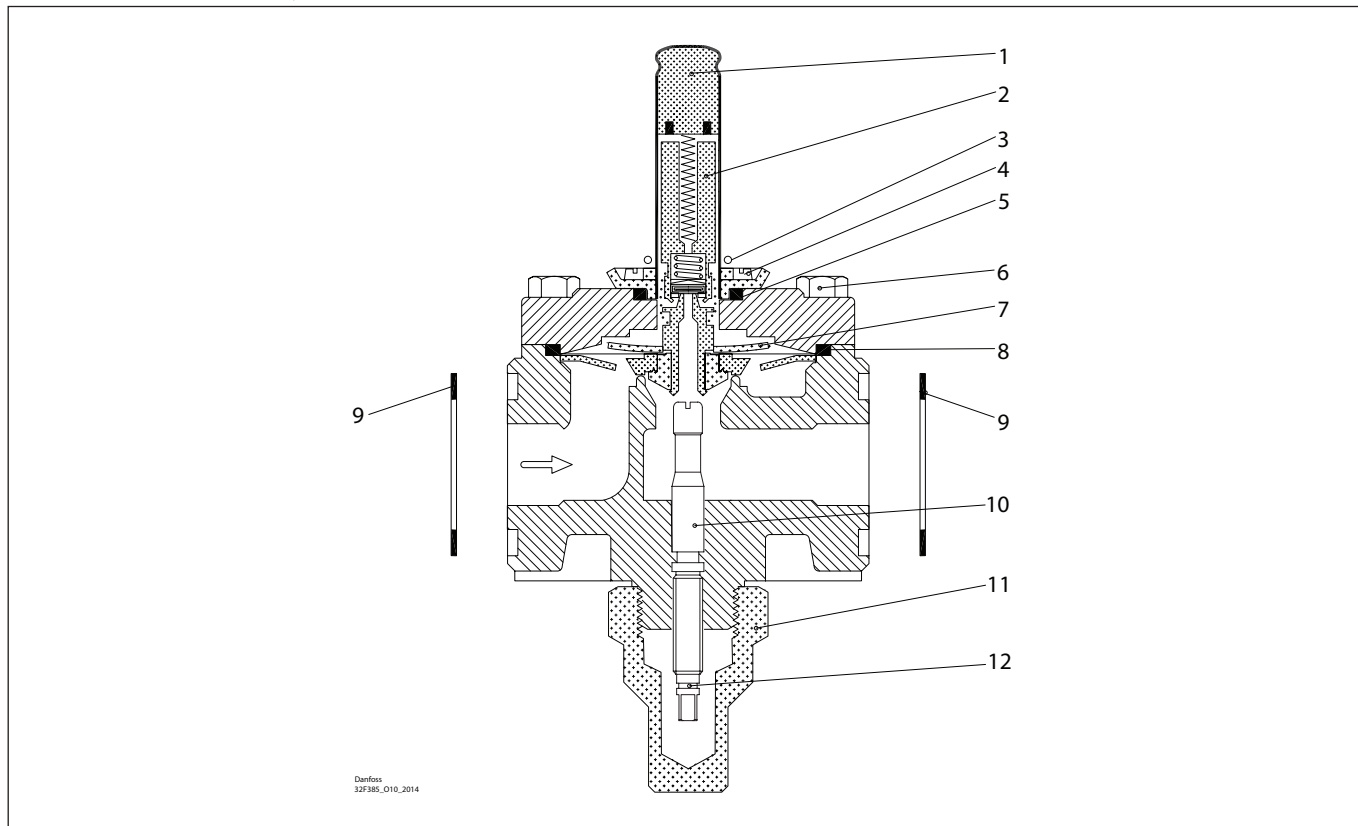
<p>1</p> <p>51 mm 2.01"</p> <p>Total no. = 1</p>	<p>2</p> <p>35 mm 1.38"</p> <p>Total no. = 1</p>	<p>3</p> <p>Ø14 mm Ø0.56"</p> <p>Total no. = 1</p>	<p>4</p> <p>6 mm 0.24"</p> <p>Total no. = 4</p>	<p>5</p> <p>Ø22 mm Ø0.87"</p> <p>Total no. = 1</p> <p> = Rubber</p>	<p>6</p> <p>20 mm 0.79"</p> <p>Total no. = 4</p>
<p>7</p> <p>Ø24 mm Ø0.94"</p> <p>Total no. = 1</p>	<p>8</p> <p>Ø41 mm Ø1.6"</p> <p>Total no. = 1</p> <p> = Rubber</p>	<p>9</p> <p>Ø32 mm Ø1.26"</p> <p>Total no. = 2</p> <p> = Fibre</p>	<p>10</p> <p>73 mm 2.87"</p> <p>Total no. = 1</p>	<p>11</p> <p>NV32 mm NV1.26"</p> <p>Total no. = 1</p>	<p>12</p> <p>Ø5 mm Ø0.2"</p> <p>Total no. = 1</p>

Overhaul kit | Code number 032F2322
Solenoid valve, type EVRAT, size 15 (previous design)



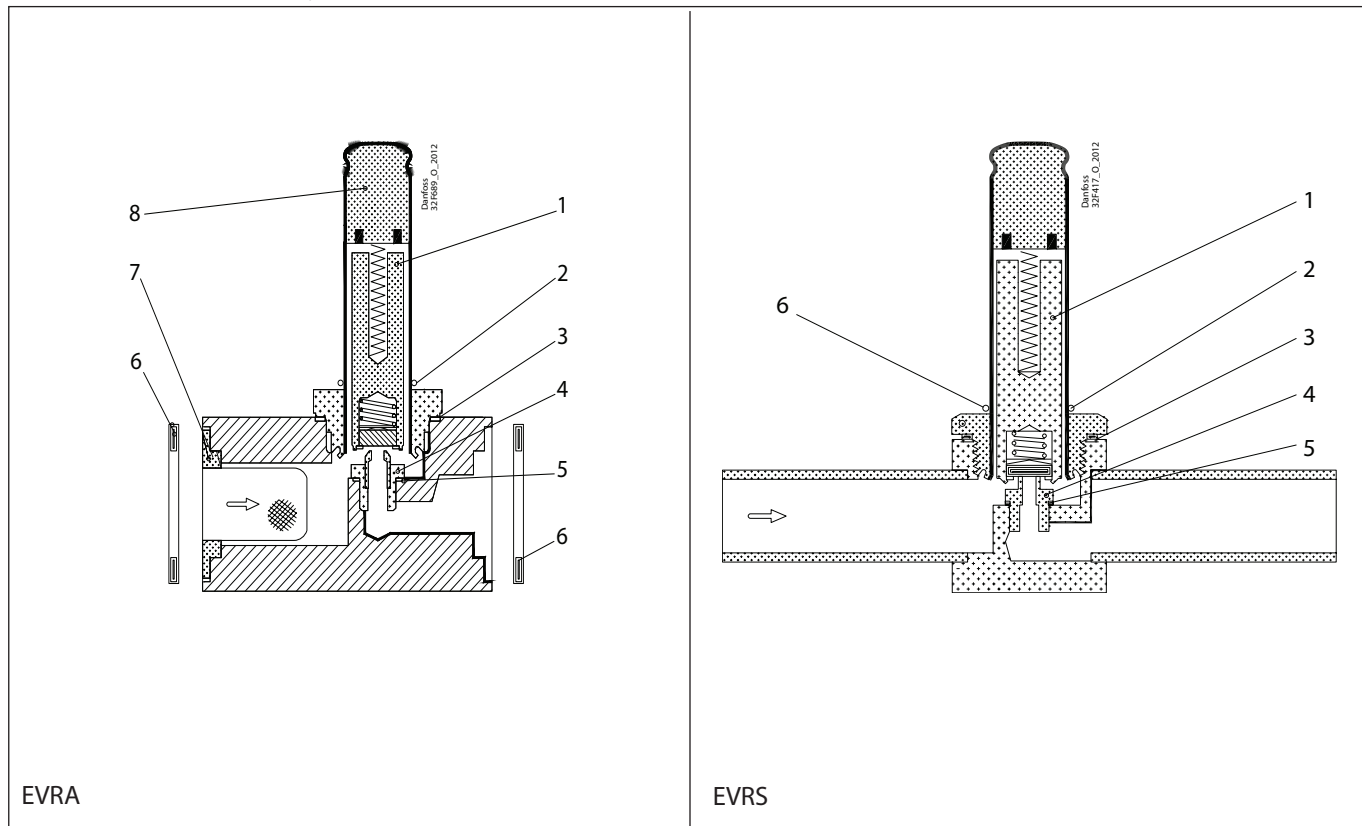
<p>1</p> <p>5.1 mm 2.01"</p> <p>Total no. = 1</p>	<p>2</p> <p>3.5 mm 1.38"</p> <p>Total no. = 1</p>	<p>3</p> <p>Ø14 mm Ø0.56"</p> <p>Total no. = 1</p>	<p>4</p> <p>6 mm 0.24"</p> <p>Total no. = 4</p>	<p>5</p> <p>Ø22 mm Ø0.87"</p> <p>Total no. = 1</p>	<p>6</p> <p>20 mm 0.79"</p> <p>Total no. = 4</p>
<p>7</p> <p>Ø31 mm Ø1.22"</p> <p>Total no. = 1</p>	<p>8</p> <p>Ø49 mm Ø1.93"</p> <p>Total no. = 1</p>	<p>9</p> <p>Ø32 mm Ø1.26"</p> <p>Total no. = 2</p>	<p>10</p> <p>73 mm 2.87"</p> <p>Total no. = 1</p>	<p>11</p> <p>NV32 mm NV1.26"</p> <p>Total no. = 1</p>	<p>12</p> <p>Ø5 mm Ø0.2"</p> <p>Total no. = 1</p>

Overhaul kit | Code number 032F2323
Solenoid valve, type EVRAT, size 20 (previous design)



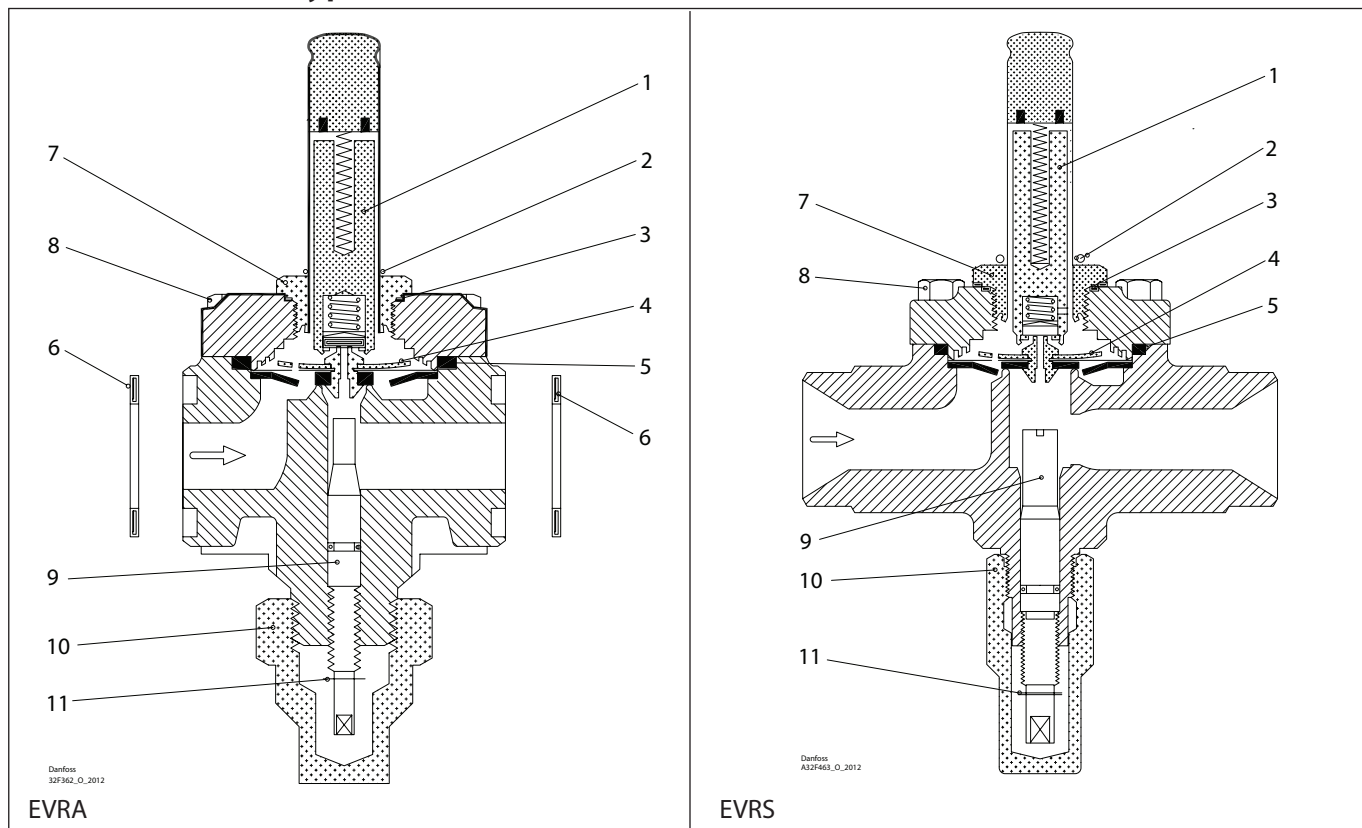
<p>1</p> <p>51 mm 2.01"</p> <p>Total no. = 1</p>	<p>2</p> <p>35 mm 1.38"</p> <p>Total no. = 1</p>	<p>3</p> <p>Ø14 mm Ø0.56"</p> <p>Total no. = 1</p>	<p>4</p> <p>6 mm 0.24"</p> <p>Total no. = 4</p>	<p>5</p> <p>Ø22 mm Ø0.87"</p> <p>Total no. = 1</p> <p> = Rubber</p>	<p>6</p> <p>20 mm 0.79"</p> <p>Total no. = 4</p>
<p>7</p> <p>Ø38 mm Ø1.5"</p> <p>Total no. = 1</p>	<p>8</p> <p>Ø64 mm Ø2.52"</p> <p>Total no. = 1</p> <p> = Rubber</p>	<p>9</p> <p>Ø39 mm Ø1.53"</p> <p>Total no. = 2</p> <p> = Fibre</p>	<p>10</p> <p>70.5 mm 2.78"</p> <p>Total no. = 1</p>	<p>11</p> <p>NV32 mm NV1.26"</p> <p>Total no. = 1</p>	<p>12</p> <p>Ø5 mm Ø0.2"</p> <p>Total no. = 1</p>

Overhaul kit | Code number 032F2336
Solenoid valves, types EVRA and EVRS, size 3



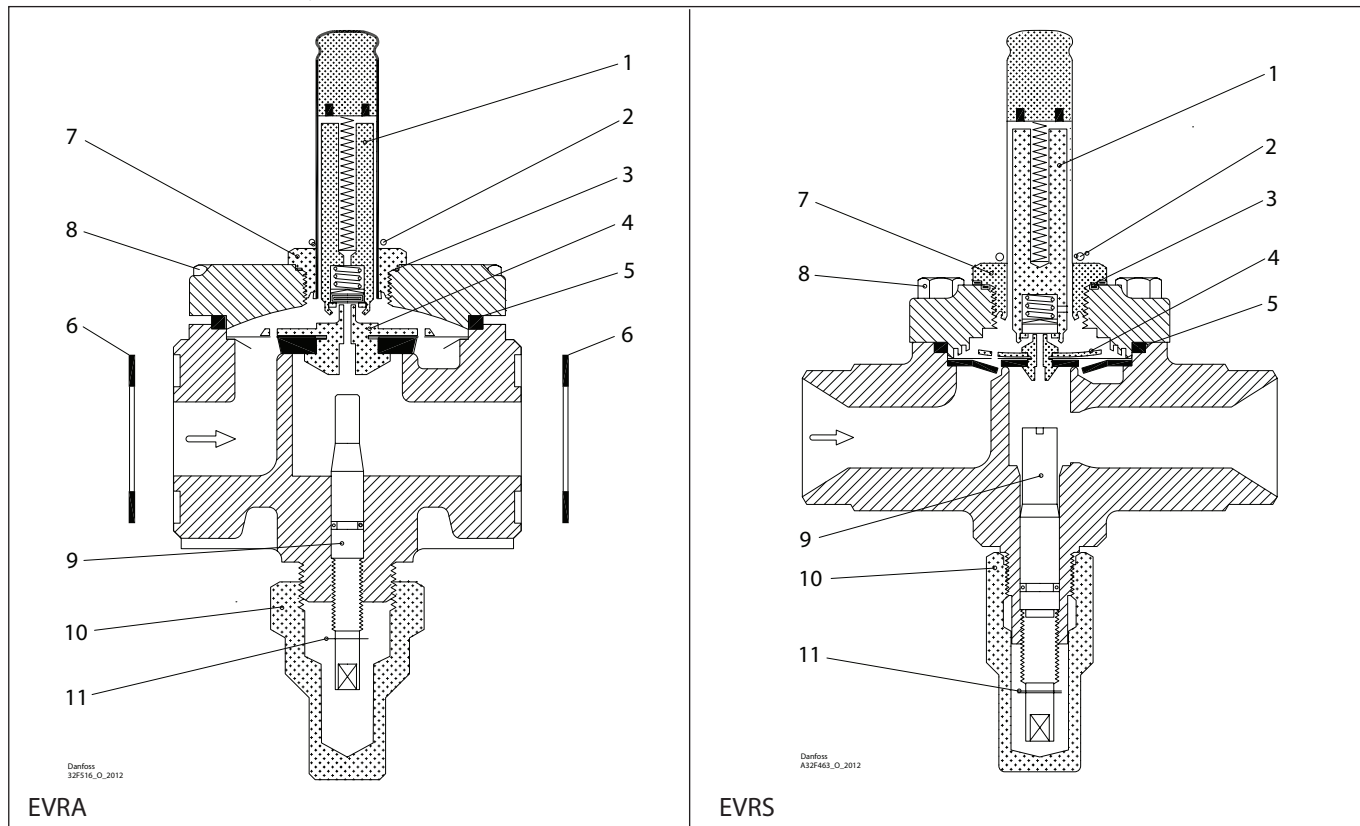
<p>1 For AC / DC</p> <p>Total no. = 1</p>	<p>2</p> <p>Total no. = 1</p>	<p>3 = Alu.</p> <p>Total no. = 1</p>	<p>4</p> <p>Total no. = 1</p>	<p>5 = Alu.</p> <p>Total no. = 1</p>	<p>6 = Fibre</p> <p>Total no. = 2</p>
<p>7</p> <p>Total no. = 1</p>	<p>8</p> <p>Total no. = 1</p>				

Overhaul kit | Code number 032F2337 Solenoid valves, types EVRA and EVRS, size 10



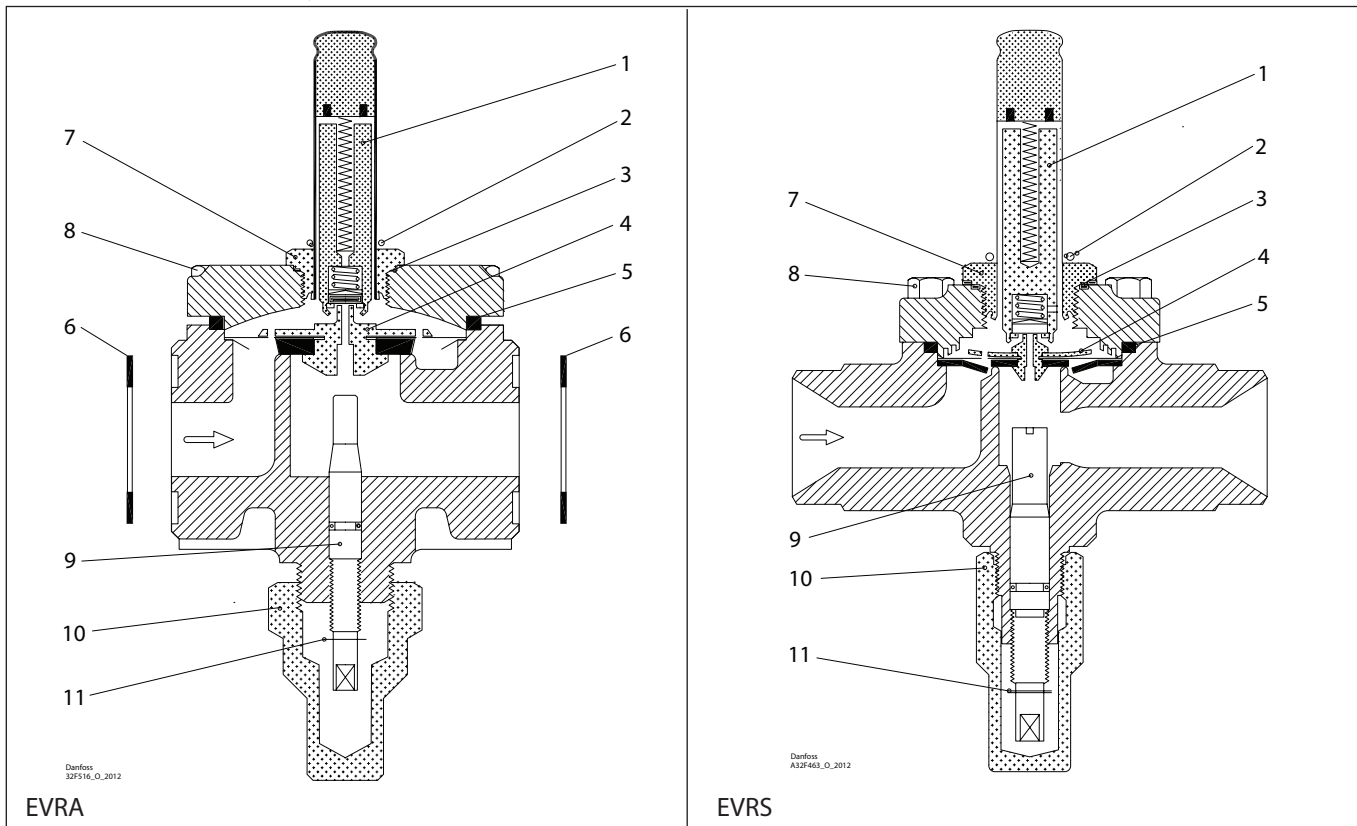
<p>1 For AC / DC</p> <p>Total no. = 1</p>	<p>2</p> <p>Total no. = 1</p>	<p>3 = Alu.</p> <p>Total no. = 1</p>	<p>4</p> <p>Total no. = 1</p>	<p>5 = Rubber</p> <p>Total no. = 1</p>	<p>6 = Fibre</p> <p>Total no. = 2</p>
<p>7</p> <p>Total no. = 1</p>	<p>8</p> <p>Total no. = 4</p>	<p>9</p> <p>Total no. = 1</p>	<p>10</p> <p>Total no. = 1</p>	<p>11</p> <p>Total no. = 1</p>	

Overhaul kit | Code number 032F2338 Solenoid valves, types EVRA and EVRS, size 15



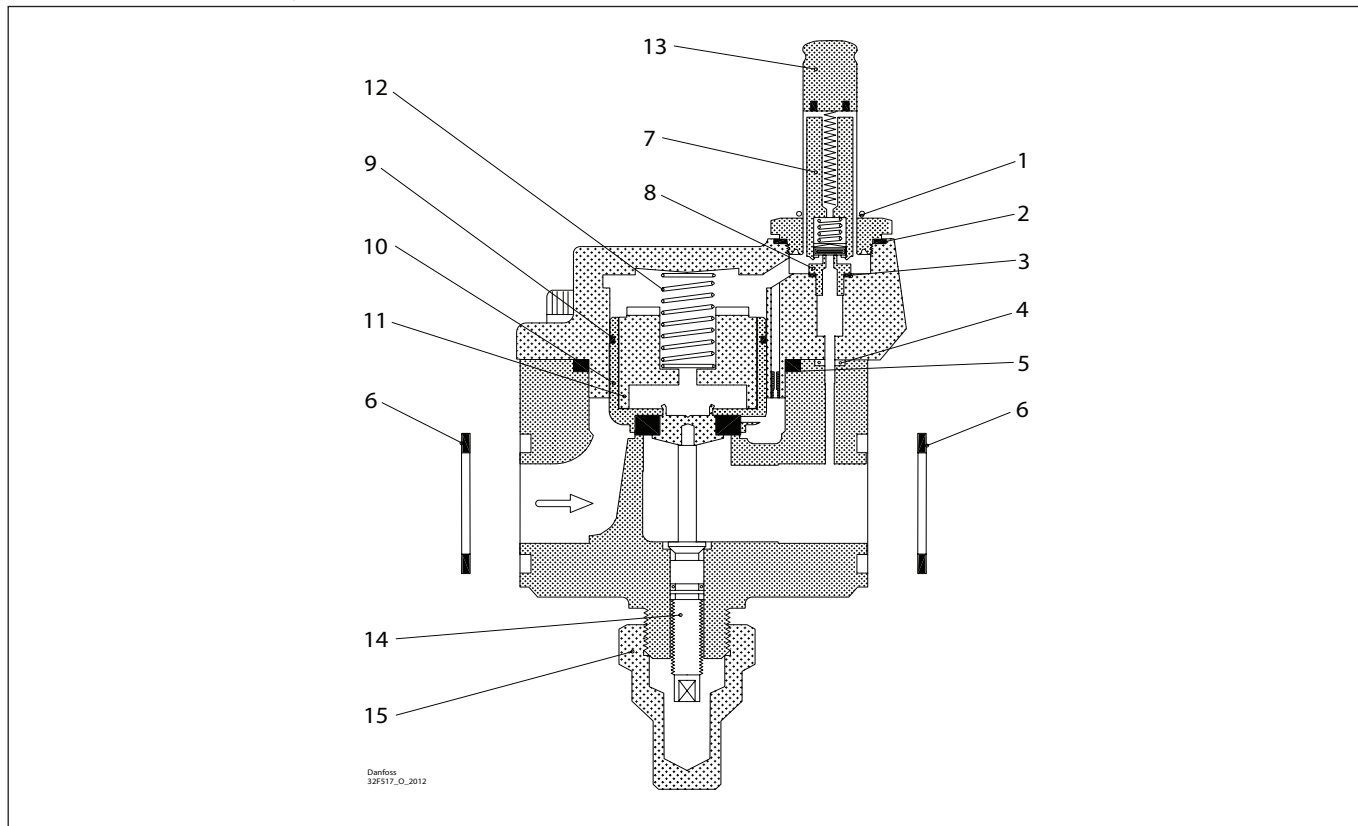
<p>1 For AC / DC</p> <p>Total no. = 1</p>	<p>2</p> <p>Total no. = 1</p>	<p>3 = Alu.</p> <p>Total no. = 1</p>	<p>4</p> <p>Total no. = 1</p>	<p>5 = Rubber</p> <p>Total no. = 1</p>	<p>6 = Fibre</p> <p>Total no. = 2</p>
<p>7</p> <p>Total no. = 1</p>	<p>8</p> <p>Total no. = 4</p>	<p>9</p> <p>Total no. = 1</p>	<p>10</p> <p>Total no. = 1</p>	<p>11</p> <p>Total no. = 1</p>	

Overhaul kit | Code number 032F2339 Solenoid valves, types EVRA and EVRS, size 20



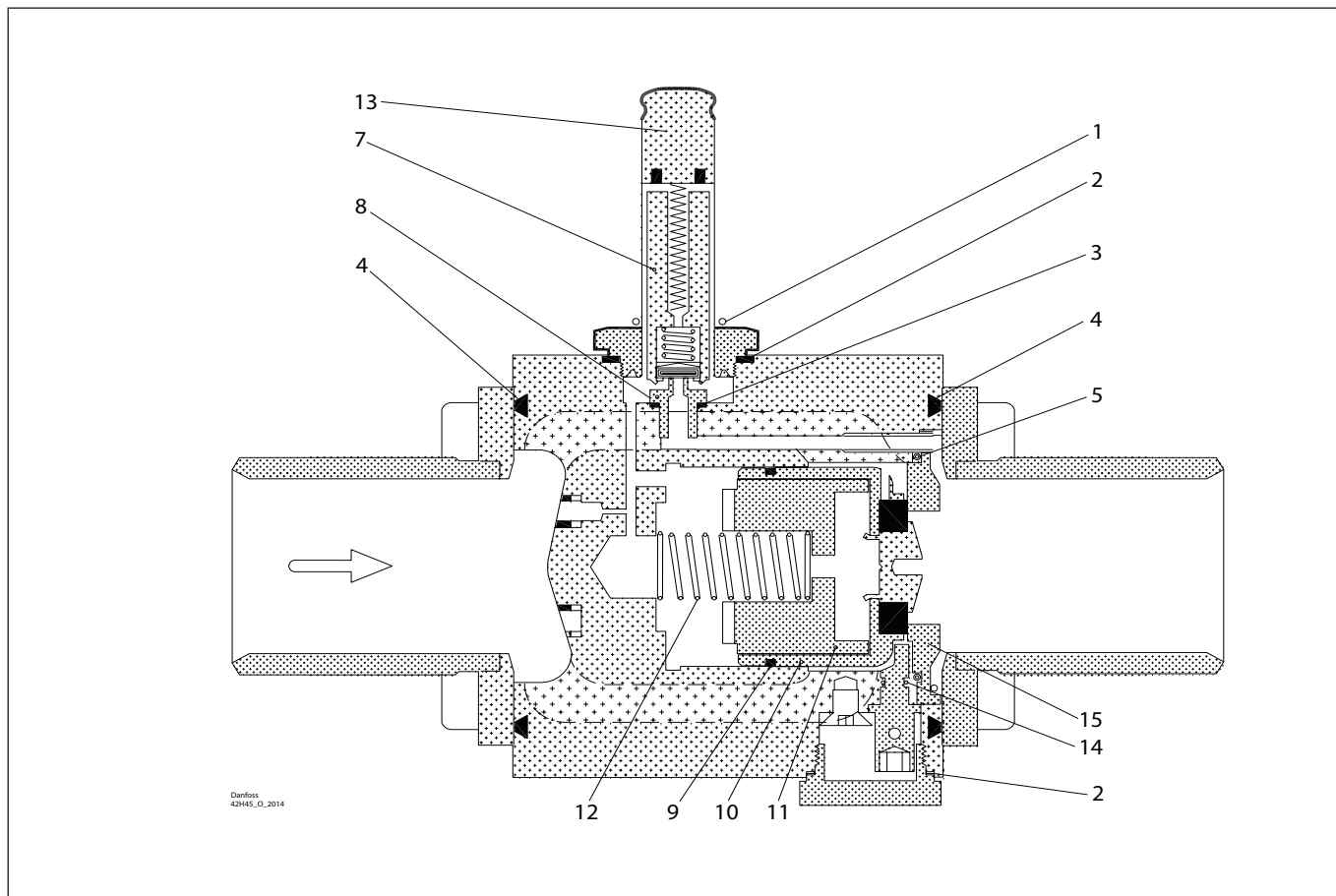
<p>1 For AC / DC</p> <p>Total no. = 1</p>	<p>2</p> <p>Total no. = 1</p>	<p>3 = Alu.</p> <p>Total no. = 1</p>	<p>4</p> <p>Total no. = 1</p>	<p>5 = Rubber</p> <p>Total no. = 1</p>	<p>6 = Fibre</p> <p>Total no. = 2</p>
<p>7</p> <p>Total no. = 1</p>	<p>8</p> <p>Total no. = 4</p>	<p>9</p> <p>Total no. = 1</p>	<p>10</p> <p>Total no. = 1</p>	<p>11</p> <p>Total no. = 1</p>	

Overhaul kit | Code number 032F2340
Solenoid valve, type EVRA, size 25



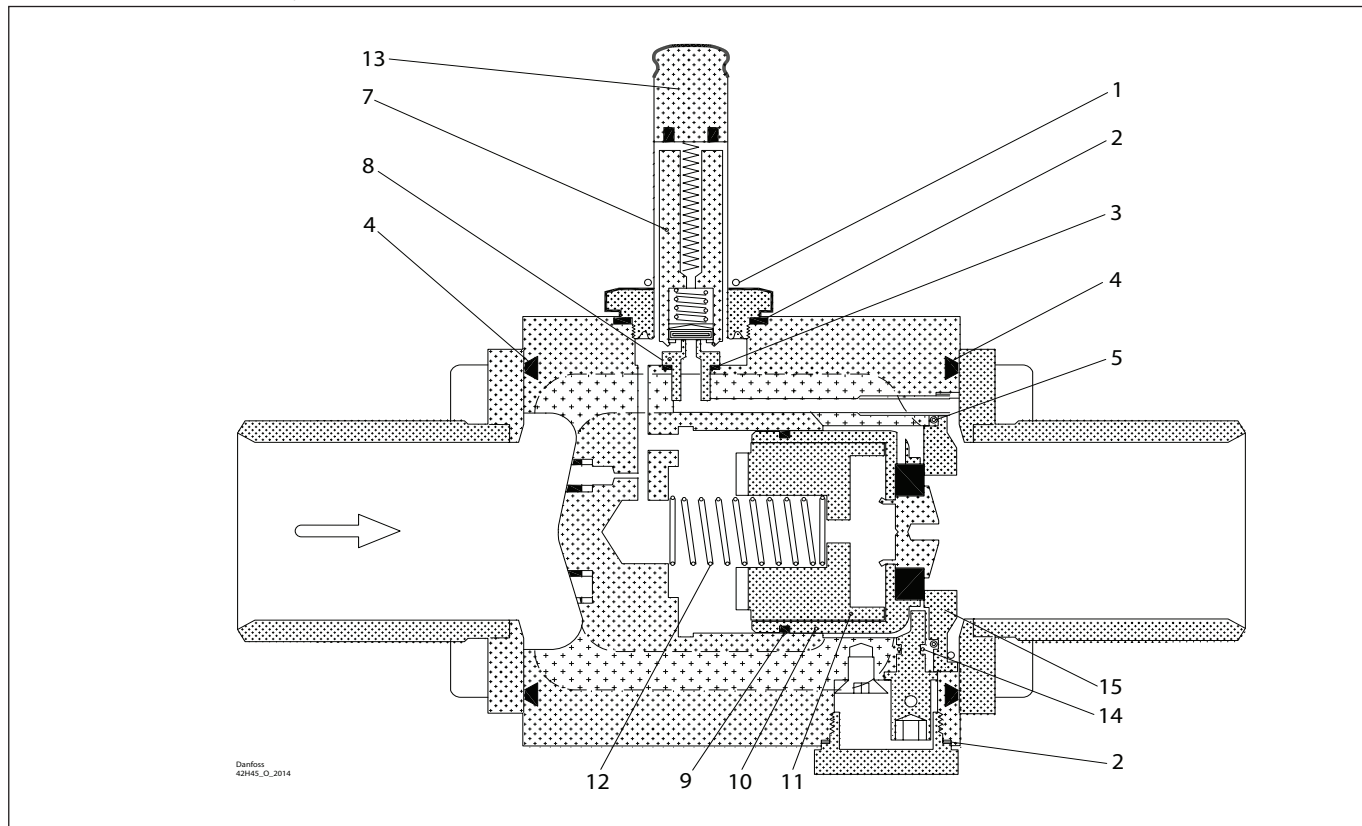
<p>1</p> <p>Total no. = 1</p>	<p>2</p> <p>Total no. = 1</p>	<p>3</p> <p>Total no. = 1</p>	<p>4</p> <p>Total no. = 1</p>	<p>5</p> <p>Total no. = 1</p>
<p>6</p> <p>Total no. = 2</p>	<p>7</p> <p>Total no. = 1</p>	<p>8</p> <p>Total no. = 1</p>	<p>9</p> <p>Total no. = 1</p>	<p>10</p> <p>Total no. = 1</p>
<p>11</p> <p>Total no. = 1</p>	<p>12</p> <p>Total no. = 1</p>	<p>13</p> <p>Total no. = 1</p>	<p>14</p> <p>Total no. = 1</p>	<p>15</p> <p>Total no. = 1</p>

Overhaul kit | Code number 032F2341
EVRA, size 32



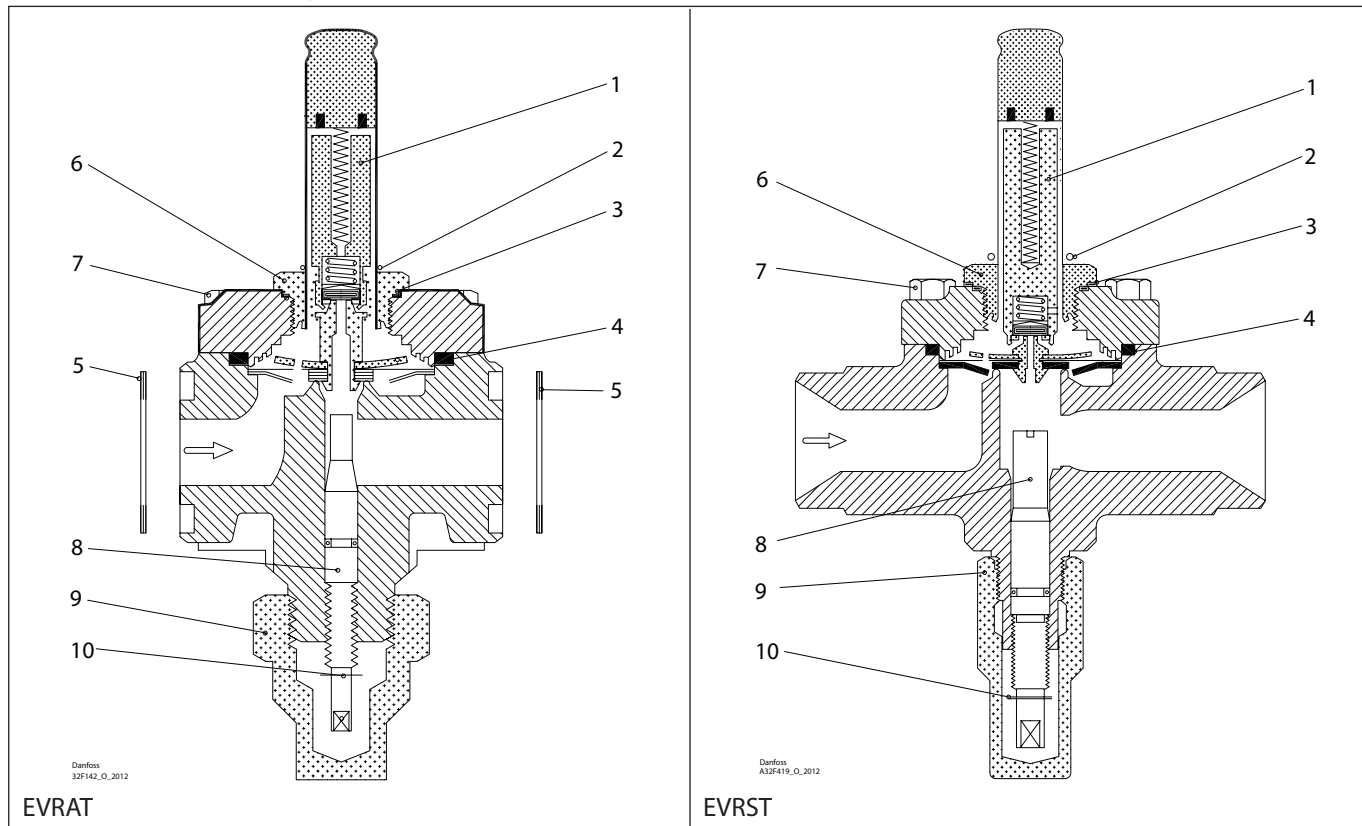
<p>1</p> <p>Total no. = 1</p>	<p>2</p> <p>Total no. = 2</p>	<p>3</p> <p>Total no. = 1</p>	<p>4</p> <p>Total no. = 2</p>	<p>5</p> <p>Total no. = 1</p>
<p>7</p> <p>Total no. = 1</p>	<p>8</p> <p>Total no. = 1</p>	<p>9</p> <p>Total no. = 1</p>	<p>10</p> <p>Total no. = 1</p>	<p>11</p> <p>Total no. = 1</p>
<p>12</p> <p>Total no. = 1</p>	<p>13</p> <p>Total no. = 1</p>	<p>14</p> <p>Total no. = 1</p>	<p>15</p> <p>Total no. = 1</p>	

Overhaul kit | Code number 032F2342
Solenoid valve, type EVRA, size 40



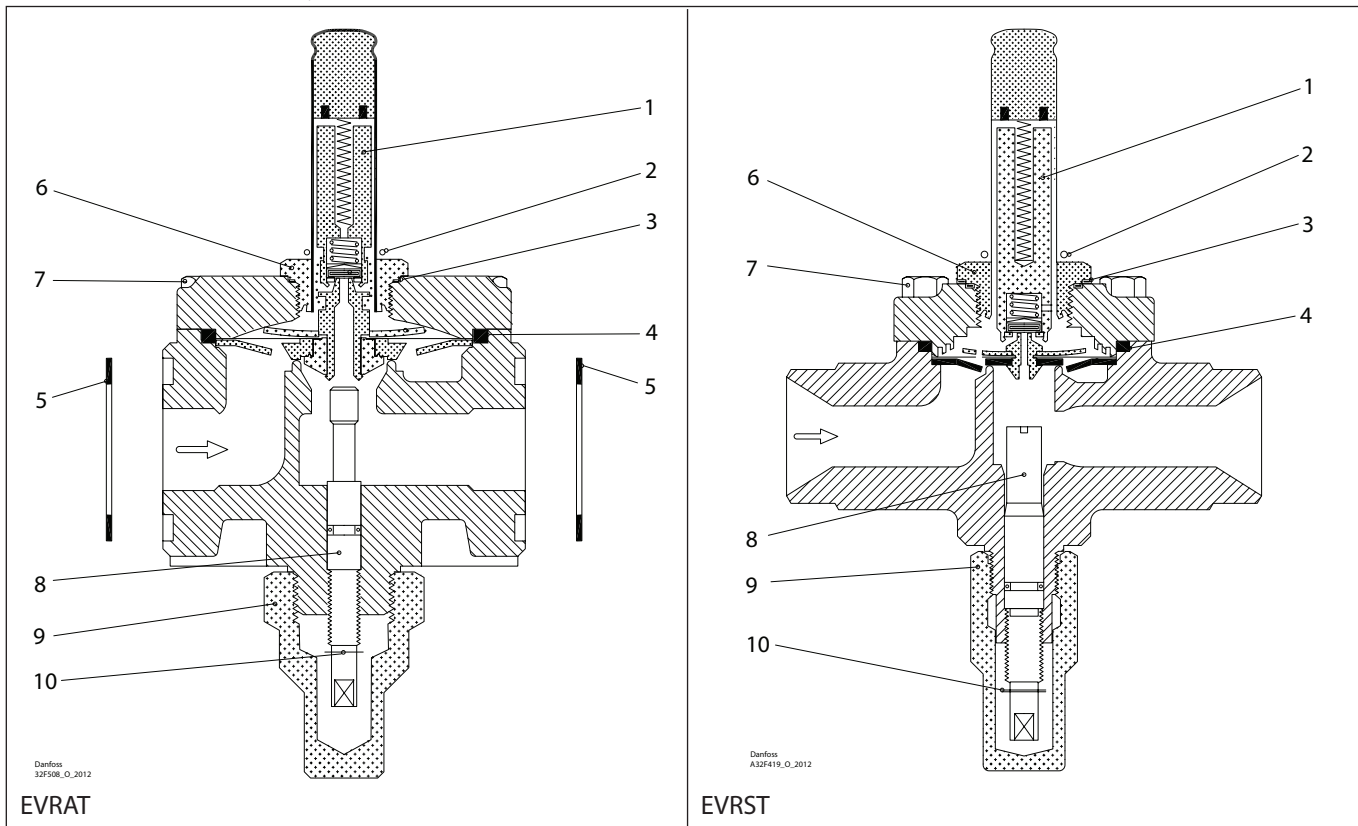
<p>1</p> <p>Total no. = 1</p>	<p>2</p> <p>Alu.</p> <p>Total no. = 2</p>	<p>3</p> <p>Alu.</p> <p>Total no. = 1</p>	<p>4</p> <p>Total no. = 2</p>	<p>5</p> <p>Total no. = 1</p>
<p>7</p> <p>Total no. = 1</p>	<p>8</p> <p>Total no. = 1</p>	<p>9</p> <p>Steel</p> <p>Total no. = 1</p>	<p>10</p> <p>Total no. = 1</p>	<p>11</p> <p>Total no. = 1</p>
<p>12</p> <p>Total no. = 1</p>	<p>13</p> <p>Total no. = 1</p>	<p>14</p> <p>Total no. = 1</p>	<p>15</p> <p>Total no. = 1</p>	

Overhaul kit | Code number 032F2346
Solenoid valves, types EVRAT and EVRST, size 10



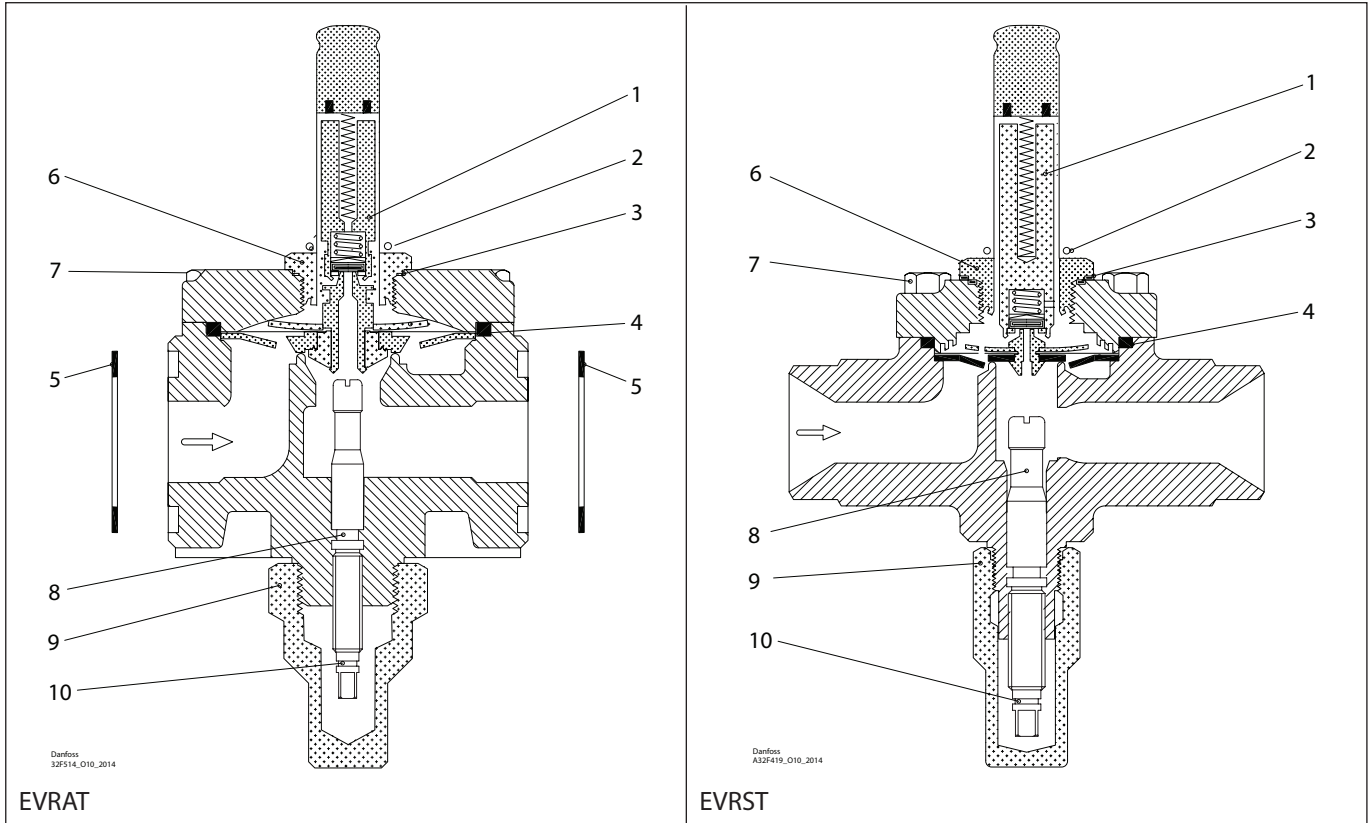
<p>1</p> <p>Ø31mm Ø1.22"</p> <p>Total no. = 1</p>	<p>2</p> <p>Ø14 mm Ø0.56"</p> <p>Total no. = 1</p>	<p>3</p> <p>Ø27 mm Ø1.04"</p> <p>Total no. = 1</p>	<p>4</p> <p>Ø49 mm Ø1.92"</p> <p>Total no. = 1</p>	<p>5</p> <p>Ø32 mm Ø1.26"</p> <p>Total no. = 2</p>	<p>6</p> <p>51 mm 2.01"</p> <p>Total no. = 1</p>
<p>7</p> <p>20 mm 0.79"</p> <p>Total no. = 4</p>	<p>8</p> <p>73 mm 2.87"</p> <p>Total no. = 1</p>	<p>9</p> <p>NV 32 mm NV 1.26"</p> <p>Total no. = 1</p>	<p>10</p> <p>Ø5 mm Ø0.2"</p> <p>Total no. = 1</p>		

Overhaul kit | Code number 032F2347
Solenoid valves, types EVRAT and EVRST, size 15



<p>1</p> <p>Total no. = 1</p>	<p>2</p> <p>Total no. = 1</p>	<p>3</p> <p>= Alu.</p> <p>Total no. = 1</p>	<p>4</p> <p>= Rubber</p> <p>Total no. = 1</p>	<p>5</p> <p>= Fibre</p> <p>Total no. = 2</p>	<p>6</p> <p>Total no. = 1</p>
<p>7</p> <p>Total no. = 4</p>	<p>8</p> <p>Total no. = 1</p>	<p>9</p> <p>Total no. = 1</p>	<p>10</p> <p>Total no. = 1</p>		

Overhaul kit | Code number 032F2348
Solenoid valves, types EVRAT and EVRST, size 20



<p>1</p> <p>Total no. = 1</p>	<p>2</p> <p>Total no. = 1</p>	<p>3</p> <p>= Alu.</p> <p>Total no. = 1</p>	<p>4</p> <p>= Rubber</p> <p>Total no. = 1</p>	<p>5</p> <p>= Fibre</p> <p>Total no. = 2</p>	<p>6</p> <p>Total no. = 1</p>
<p>7</p> <p>Total no. = 4</p>	<p>8</p> <p>Total no. = 1</p>	<p>9</p> <p>Total no. = 1</p>	<p>10</p> <p>Total no. = 1</p>		

Danfoss can accept no responsibility for possible errors in catalogues, brochures and other printed material. Danfoss reserves the right to alter its products without notice. This also applies to products already on order provided that such alterations can be made without consequential changes being necessary in specifications already agreed. All trademarks in this material are property of the respective companies. Danfoss and the Danfoss logotype are trademarks of Danfoss A/S. All rights reserved.