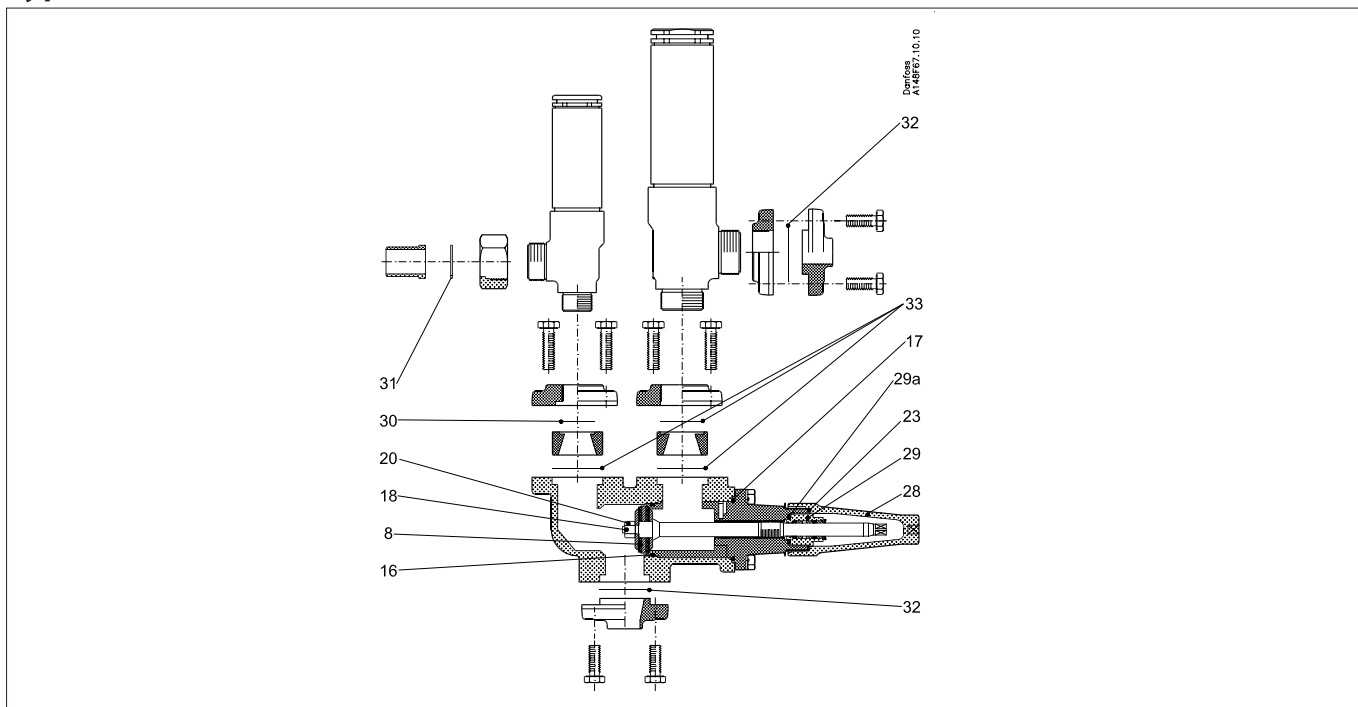


Data sheet – Spare parts and accessories

Change-over valve Type DSV 2



Description	Pos. #	Qty.	Code no.
Spare part kit, for bonnet and cap (installation kit)			
O-ring for seat	16	1	148F3023
O-ring for housing/bonnet	17	1	
Gasket for cap	23	1	
Dismounting kit			
Gasket for flange SFV 15/DSV 2	30	1	148F3030
Gasket for nipple SFV 15	31	1	
Gasket for flange SFV 15-20-25/DSV 2	32	1	
Gasket for flange SFV 20-25/DSV 2	33	1	
Repair kit, complete set of gaskets			
Gasket for cone	8	1	148F3025
O-ring for seat	16	1	
O-ring for housing/bonnet	17	1	
Lock pin	18	1	
Slotted nut	20	1	
Gasket for cap	23	1	
Gaskets complete for packing gland	29a	1	
Gasket for flange SFV 15/DSV 2	30	1	
Gasket for nipple SFV 15	31	1	
Gasket for flange SFV 15-20-25/DSV 2	32	1	
Gasket for flange SFV 20-25/DSV 2	33	1	

Description	Pos. #	Qty.	Code no.
Packing gland incl. gaskets (with O-rings)			
Packing gland incl. gaskets	29	1	148B4032
Cap incl. gasket			
Cap incl. gasket	28	1	148B4076
Grease for packing gland (tube)			
Grease for packing gland (tube)		1	148H3445